

Reel Catalog

Hose, cord and cable reels



reelcraft.com

 **REELCRAFT**®



Why use hose reels?

Why use hose reels? Because they make hose handling more efficient and safer. Your hoses, cables and cords will last up to five times longer. You will improve hose management, which decreases labor costs. Your chances of injuries from tripping

hazards will decrease, which saves lost work time, medical bills and higher insurance. You also save the expense and time to replace expensive hoses, cables and cords that get run over by fork lifts and other vehicles.



Series 7000 - Photo courtesy of Sage Oil Vac

Five reasons why hose reels add value



Improve efficiency
Hoses, cable and cords are where you want/need them.



Increase safety
Reduce tripping accidents and lost work time.



Minimize leakages
Reduce costs of air and water leakages.



Reduce hose wear
Hose and cord on reels can last up to five times longer.



Increase productivity
No more tangled hoses improves efficiency.



Series 80000 - Photo courtesy of Nealco Equipment, LLC



Series 30000 - Photo courtesy of 1st Attack Engineering

OSHA says reduce your trips and falls

"There are many situations that may cause slips, trips and falls. The controls needed to prevent these hazards are usually obvious, but too often ignored, such as... coiling up extension cords, lines and hoses when not in use and keeping electrical and

other wires out of the way." OSHA's "Fall Prevention Tips" include, "Practice good housekeeping. Keep cords, welding leads and air hoses out of walkways or adjacent work areas."

Source: www.osha.gov

Same-day quick ship program offers fastest service

Because we are centrally located in the US and have three North American warehouses, upon request, we can quickly ship our standard products the same day for domestic orders of ten or fewer standard models.

Orders must be received by 1:00 pm Eastern Time. Look for the shipping icons in this catalog for designated models. For the most current list of Quick Ship reels, please visit www.reelcraft.com.



Two Year Limited Warranty and Return Policy

Reelcraft now offers a two-year limited warranty. All reels manufactured by Reelcraft Industries, Inc. are warranted to be free of defects due to faulty material or workmanship for 24 months from date of shipment. Exception: LD, LG, LH cord reels - 1 year; hose and light bulbs - 6 months. Normal wear and tear is not considered a defect in material or workmanship. For complete warranty information, online warranty registration and return information please visit www.reelcraft.com or call Reelcraft's Customer Service Department toll-free at 1-855-634-9109.

***Please refer to the online catalog for the most current and up-to-date product information.**



Reelcraft: Better by Design

Reelcraft's reels are better by design because of our lasting commitment to excellence. Our engineering team is well known for designing durable, high quality products. Our standard

features include durable, corrosion-resistant powder coat paint, multi-position guide arms for versatile mounting options and heavy-duty, reinforced steel stampings for

increased strength. Our reels are permanently factory-lubricated for a long, trouble-free service life. All of these features, and many more, add up to make "The Reelcraft Difference."

Reinforced Steel

The steel-stamped guide arm is reinforced to reduce bending due to angular pull.

Improved Connection

The elongated brass connector and proprietary adhesion process provide a better crimp to the hose.

Stress-Free Swivel

Our full-flow design combines the highest grade seal design with supporting bearing surfaces to insure the longest possible life.

Corrosion-Resistant

Steel components are individually powder coated to virtually eliminate corrosion.

Long Service Life

Field-proven swivel assures long service life.

Kinkless Hose

High quality PVC hose is specially blended for use on reels

Sealed Connection Points

Swivel and hose inlet connections seal against leaks

Adjustable Guide Arm

Multiple guide arm positions provide versatile uses and easier field adjustment

Trouble-Free Performance

Fewer components increase the service life of the reel and improve performance

Long Life Drive Spring

Drive mechanism is enclosed for protection against the environment. Declutching arbor virtually eliminates possibility of spring damage due to reverse winding of reel spool.

Robust Latch

Wide profile combined with special spring assures maximum service life.

Structural Strength

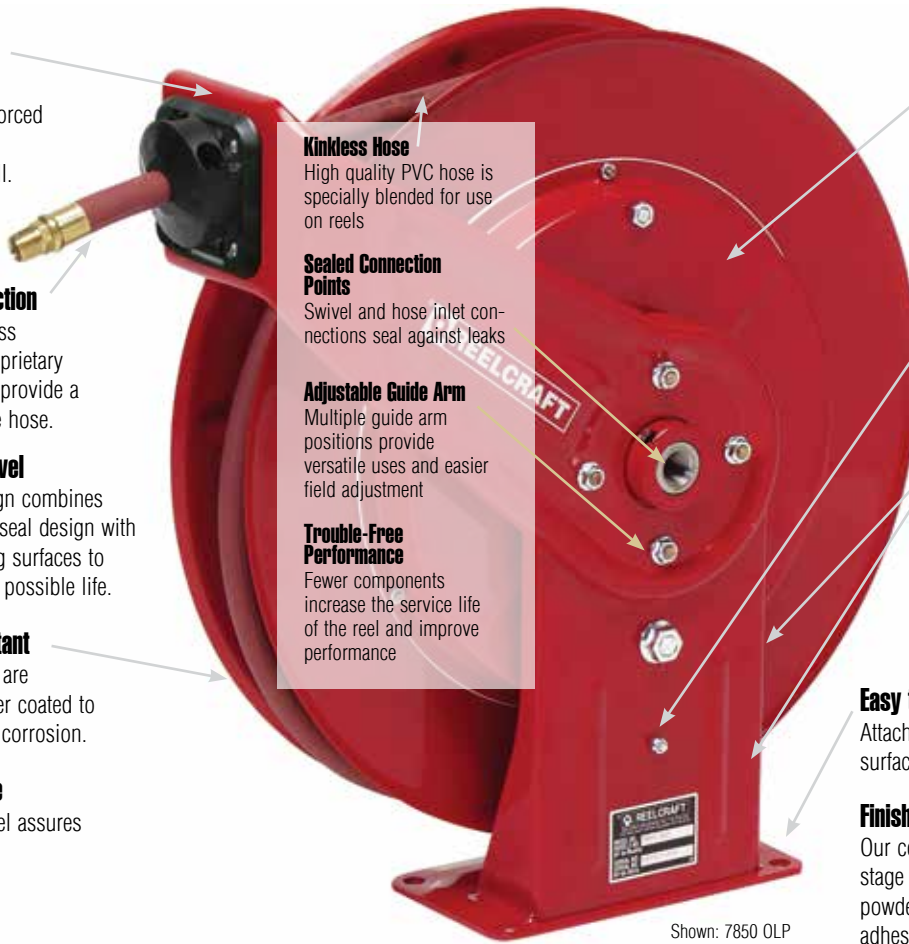
Welded heavy gauge steel frame includes a robotically welded base with stiffening ribs for lighter weight, yet stronger components for ease of handling and installation.

Easy to Mount

Attaches to most structurally sound surfaces. Edges are curved for safety.

Finish with Quality

Our components undergo a special five-stage cleaning process and are individually powder-coated for the highest quality paint adhesion. Excess powder is reclaimed to be environmentally friendly.



Shown: 7850 OLP

To place an order, please advise:

1. Model number.
2. Product to be handled such as air, oil, water, etc.
3. Maximum operating pressure in P.S.I.
4. Maximum operating temperature in degrees Fahrenheit.
5. Hose inside and outside diameters and length.
6. Desired guide arm position by adding one of the suffixes to the model number. Example: 5635 OLPPSW for side wind.

Additional Considerations:

A flexible connection between the reel and the source of supply is required to prevent possible misalignment and binding. Non-flexible connections will void

the warranty. The pressure rating of inlet hose must be equal or greater than the rating of the reel.

*** Consult Reelcraft for application recommendations if installation height is more than 16'.**

Accessories

Reels ordered with hose and bumper are assembled complete and ready to install. Order bumpers separately for reels without hoses.

Additional questions? Please visit our website or call for assistance. For more than 45 years, our specialty is offering hose handling solutions.

COPYRIGHT NOTICE

All rights reserved. No part of the material protected by this copyright may be reproduced or utilized in any form or by any means, electronic or mechanical, including photocopying, recording, broadcasting or by any other information storage and retrieval

system without written permission from Reelcraft Industries, Inc. Reelcraft, Work Smarter, Nordic, Hose Boss, Safe-T-Reel, Better by Design, Built Better to Perform Better, and Rely on Reelcraft are the trademarks and service marks of Reelcraft Industries, Inc. registered in the United States and/or other jurisdictions. You shall

not display, disparage, dilute or taint our trademarks and service marks, or use our marks in such a way that would misrepresent the identity of the owner.


All other trademarks, service marks or registered trademarks appearing on these pages are the trademarks or service marks


of their respective owners. Atlas®, Super Swivel®, Full Circle®, Quiet Speed®, Buna®, Push Lok®, Stubby® and Slubby II® are not owned by Reelcraft Industries, Inc.

Table of Contents


Reel Series **Page**


Spring Retractable Hose Reels


Series RT 1/4", 3/8", 1/2" I.D. **8** 


Series B3000 1/4", 3/8" I.D. **9** 


Enclosed Reels 1/4", 3/8" I.D. **9** 


Series 4000, 5000 & 5005 1/4", 3/8", 1/2" I.D. **10** 


Series 7000 1/4", 3/8", 1/2", 5/8", 3/4" I.D. **11** 

Series HD70000 3/8", 1/2", 3/4" I.D. **12** 

Series DP5000 & DP7000 1/4", 3/8", 1/2" I.D. **13** 

Series 80000 & D80000 3/8", 1/2", 5/8", 3/4", 1" I.D. **14** 


Series SD10000 3/4", 1" I.D. **15** 


Series 9000 3/8", 1/2", 3/4", 1", 1 1/4", 1 1/2" I.D. **16** 


Reel Series **Page**


Specialty Hose Reels


Twin Hydraulic - Series TH 1/4", 3/8", 1/2" I.D. **17** 

Fuel, DEF & Grounding Reels 3/4", 1", 1 1/4", 1 1/2" I.D. **18** 

Stainless Steel Reels 1/4", 3/8", 1/2", 3/4", 1" I.D. **19** 

Pre-Rinse, Potable Water Reels 3/8", 1/2" I.D. **20** 

Medium Duty - Series S 1/4", 3/8", 1/2", 5/8" I.D. **21** 

Pressure Wash Reels 1/4", 3/8", 1/2" I.D. **22** 

Display stands

- Three reel tabletop display** S602155
- Four reel tabletop display** S602155-1
- Six reel display** S602037-2
- Eight reel display** S602037-1
- Series 3000 display (1 reel)** S602815-39

Conveniently displays up to eight reels and features removable universal brackets for ease of mounting. It is easily assembled and disassembled. Reels sold separately.

NEW!













Series 3000 reel display stand S602815-39



Three reel tabletop display stand S602155

Table of Contents

Reel Series		Page	
Hand Crank & Motorized Reels			
Series CU, CT & CM	3/8", 1/2" I.D.	23	
Series H	3/8", 1/2", 3/4" I.D.	24	
Series 30000	1/2", 3/4", 1" I.D.	24-26	
Series 1200	1/2", 3/4", 1" I.D.	29	
Series 2400	1/2", 3/4", 1" I.D.	30	
Series 3900	1", 1 1/4", 1 3/8", 1 1/2" I.D.	31	
Liquid Propane Reels	1/2", 3/4", 1", 1 1/4", 1 1/2", 2" I.D.	32	
Series 3700 & 5900	1 1/2", 2", 2 1/2", 3", 4" I.D.	33	
Series 3800	1 1/4", 1 3/8", 1 1/2", 2" I.D.	34	
Series 6000	1 3/8", 1 1/2", 2", 2 1/2", 3" I.D.	35	

Reel Series		Page	
Power & Light Cord Reels			
Series LD, LG & LH	Light and medium duty cord reels	36	
Series L 3000, L 4000, L 5000, L 7000 & L 70000	Heavy duty single, duplex, triple tap, quad receptacle and flying lead power and light cord reels	37-41	
Series L NM400 & LS 5000	Heavy duty NEMA 4 rated and stainless steel power cord reels	42	
Series 30000	Heavy duty live power cord and storage cord/cable reels	43	
Welding Reels			
Series TW & BA	Welding hose reels	44-45	
Series WC & CEA	Welding cable reels	46	
Safe-T-Reels	Multiple configurations	47	
Tool Balancers			
Series TB & TBL	Tool balancers	48	
Paint Options			
Special Powder Coat Paint Options	For small frame and large frame reels	49	
Parts & Accessories			
	Roller guide assemblies, mounting brackets, motors, switches, etc.	50-51	

Reelcraft's Online Interactive Catalog

Complete Online Catalog of Products

Reelcraft's interactive catalog gives users the ability to self-select the product they need for their specific application. The products are grouped into categories by application and gives the user the choice to narrow their search by filters such as hose/cord length, drive type, reel grade, in stock items, etc. The individual product pages include all the available information for each product including:

- Product specs and dimensions
- Service manuals
- Tech bulletins
- Videos
- Available inventory
- CAD drawings
- FAQs
- Quote request form
- Available parts and accessories
- 360° images

Parts and Accessories

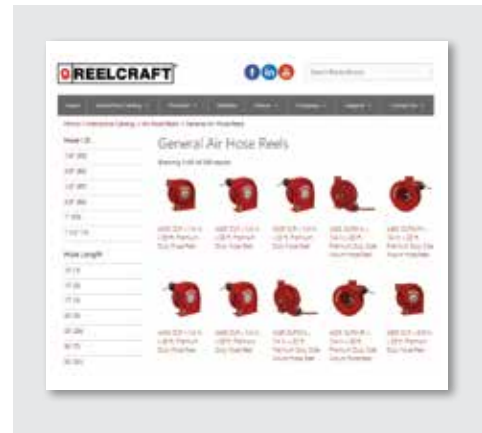
The interactive catalog also contains an extensive listing of parts and accessories. Search the catalog of over 350 hose assemblies by hose I.D., length, pressure rating, or end fitting size. The catalog also contains information for the following items:

- Replacement hose assemblies
- Inlet hose assemblies
- Bumper stop assemblies
- Roller guide assemblies
- Swing brackets
- Pivot bases
- Swivel assemblies

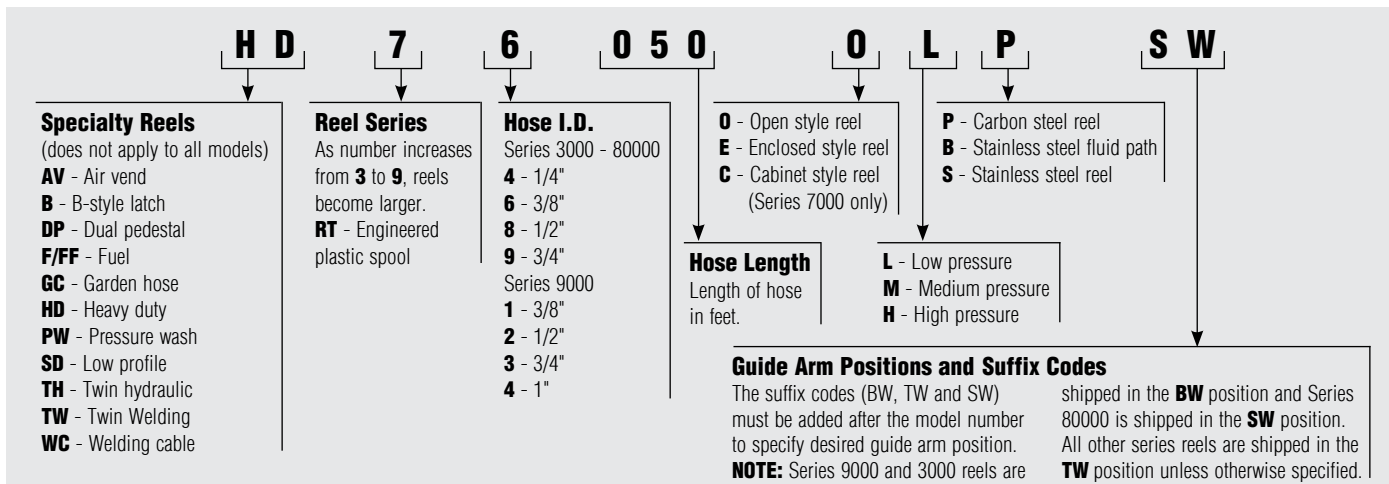
Visit www.reelcraft.com/catalog to start your search!



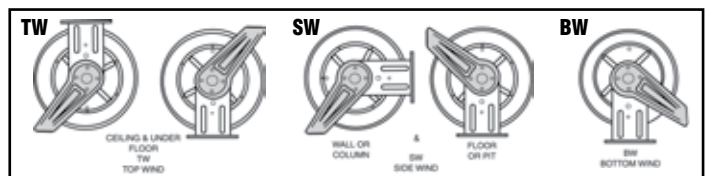
Easy to use!



Spring Retractable Reels Model Number Chart



Some model series include a revision letter prefix, does not apply to all series. Chart is for reference only. Not all options available in every combination. Reels cannot be ordered by selecting from this chart.



Reel Configurator & Custom Built Reels

Reelcraft's Online Reel Configurator

Large Frame Reels - 1/2" to 2" ID; hose lengths to 610' and more
Reelcraft's online reel configurator quickly and accurately quotes large frame reels. Simply answer a few questions about your reel needs, submit your configuration and receive your custom quote within 1 business day. The new configurator allows for shorter lead times for large frame reels and increases the accuracy of the available combinations of reel options.



Series 2400 Reels
1/2", 3/4", 1" Hose I.D.



Series 3900 Reels
1", 1 1/4", 1 1/2" Hose I.D.



Series 3700 Reels
2" Hose I.D.

Fast quote time - receive your quote in approximately 1 business day

More accurate quotes - eliminates incompatibilities and increases the accuracy of available combinations

Reduced product lead time - 2 weeks with most configured products

Now available online!

Don't see what you need? Reelcraft's engineered products group can custom build to your specifications.

Visit www.reelcraft.com/configurator to get started!

Custom Built Reels

Made in USA 

Reelcraft's engineered products group custom builds reels to your specifications. Our special engineered products are developed for demanding applications in areas such as marine, military, aviation, hydroseeding, sewer and well cleaning, offshore oil rigs, robotic cable and much

more. We offer flexibility, competitive pricing and a lasting commitment to excellence. For more than 25 years, Reelcraft's engineered products group has produced custom products to meet individualized requirements.



Reelcraft's Capabilities

Very few size and weight constraints

We build to meet most extreme size and weight constraints.

Special finishes/paint options

Options include CARC paint, marine grade epoxy, stainless steel, liquid enamel coat paint and powder coat paint in any color. See page 49 for color options.

Various drive types

Manual crank, motorized, spring driven, hand-over-hand and more.

Wide range of pressures

Wide pressure range from full vacuum to 15,000 PSI.

Unique options

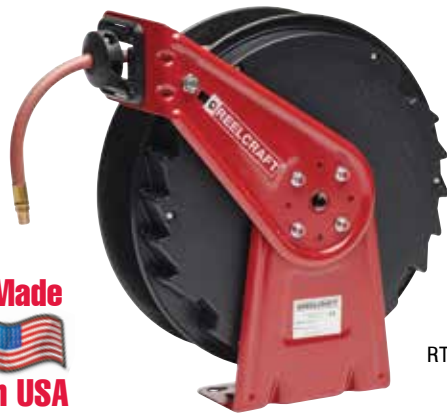
Rewind assist, hose tensioning bars, multiple fluid paths, level rewinds, controls, sensors and much more.

Visit www.reelcraft.com/quote to request your custom reel!

Customer Service: 1.855.634.9109
All Other Calls: 1.800.444.3134

 **REELCRAFT**®

Lightweight, Economical Reels | Series RT

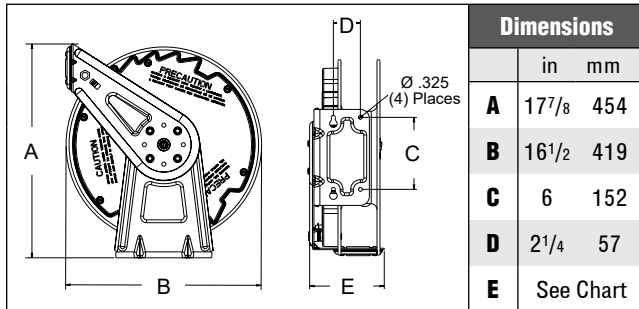


Made
in USA

RT650-OLP

Medium Duty Spring Retractable Reels Air/Water/Oil/Grease - 1/4", 3/8", 1/2" I.D.

Series RT is an economical choice for a medium duty, light weight, spring driven hose reel for applications that are less demanding, yet require a product that can withstand industrial and commercial use. To extend service life, the spool is constructed from a rugged engineered plastic and the industrial-grade drive spring is protected from the environment. Guide arm adjusts to seven positions.



Nitrogen Reels
RT650-OLPG-20GN
Visit www.reelcraft.com/catalog
for Series RT nitrogen reels.

Side Mount Reels

RT650-OLPSM
Visit www.reelcraft.com/catalog
for side mount models.



Model with Hose	Shipping Weight		Hose I.D.		Hose O.D.		Hose Length		**Max Pressure		NPT(M) Hose Outlet	NPT(F) Reel Inlet	Model without hose or bumper	Shipping Weight		Pressure		E	
	lbs	kg	in	mm	in	mm	ft	m	psi	bar	in	in		lbs	kg	psi	bar		in
Low Pressure Air/Water Reels Maximum Temperature 150 °F (65 °C) **Maximum working pressure at 70 °F (20 °C)																			
RT425-OLP	19	9	1/4	6	.475	12	25	8	300	21	1/4	1/2	RT402-OLP	19	9	300	21	6 1/4	159
RT435-OLP	21	10	1/4	6	.475	12	35	11	300	21	1/4	1/2	RT403-OLP	19	9	300	21	6 1/4	159
RT450-OLP	24	11	1/4	6	.475	12	50	15	300	21	1/4	1/2	RT405-OLP	21	10	300	21	6 1/4	159
RT465-OLP	25	11	1/4	6	.475	12	65	20	300	21	1/4	1/2	RT406-OLP	21	10	300	21	6 1/4	159
RT625-OLP	20	9	3/8	10	.600	15	25	8	300	21	1/4	1/2	RT602-OLP	19	9	300	21	6 1/4	159
RT635-OLP	21	10	3/8	10	.600	15	35	11	300	21	1/4	1/2	RT603-OLP	19	9	300	21	6 1/4	159
RT650-OLP	27	12	3/8	10	.600	15	50	15	300	21	1/4	1/2	RT605-OLP	22	10	300	21	6 1/4	159
RT825-OLP	26	12	1/2	13	.750	19	25	8	300	21	1/2	1/2	RT802-OLP	23	10	300	21	6 1/4	159
RT835-OLP	27	12	1/2	13	.750	19	35	11	300	21	1/2	1/2	RT803-OLP	23	10	300	21	6 1/4	159
RT850-OLP	37	17	1/2	13	.750	19	50	15	300	21	1/2	1/2	RT805-OLP	25	11	300	21	7 3/4	197
Medium Pressure Oil Reels Maximum Temperature 150 °F (65 °C)																			
RT625-OMP	27	12	3/8	10	.710	18	25	8	1000	69	3/8	1/2	RT602-OMP	22	10	1000	69	6 1/4	159
RT635-OMP	30	14	3/8	10	.710	18	35	11	1000	69	3/8	1/2	RT603-OMP	22	10	1000	69	6 1/4	159
RT650-OMP	35	16	3/8	10	.710	18	50	15	1000	69	3/8	1/2	RT605-OMP	25	11	1000	69	7 3/4	197
RT825-OMP	31	14	1/2	13	.820	21	25	8	1000	69	1/2	1/2	RT802-OMP	23	10	1000	69	6 1/4	159
RT835-OMP	32	15	1/2	13	.820	21	35	11	1000	69	1/2	1/2	RT803-OMP	23	10	1000	69	6 1/4	159
High Pressure Grease Reels Maximum Temperature 150 °F (65 °C)																			
RT425-OHP	28	13	1/4	6	.580	15	25	8	5000	345	1/4	1/2	RT402-OHP	22	10	5000	345	6 1/4	159
RT435-OHP	30	14	1/4	6	.580	15	35	11	5000	345	1/4	1/2	RT403-OHP	22	10	5000	345	6 1/4	159
RT625-OHP	30	14	3/8	10	.730	19	25	8	4800	331	3/8	1/2	RT602-OHP	22	10	5000	345	6 1/4	159
RT635-OHP	34	15	3/8	10	.730	19	35	11	4800	331	3/8	1/2	RT603-OHP	22	10	5000	345	6 1/4	159
RT650-OHP	46	21	3/8	10	.730	19	50	15	4800	331	3/8	1/2	RT605-OHP	25	11	5000	345	7 3/4	197

Low pressure reels furnished standard with PVC hose. Medium pressure reels furnished standard with S.A.E. 100R1-AT (3/8") or S.A.E. 100R17 (1/2") one wire braid hose or equivalent. High pressure reels furnished standard with S.A.E. 100 R2T two wire braid hose. Reference page 6 for guide arm positions.

Prop 65: **WARNING:**
Cancer and Reproductive Harm
www.P65Warnings.ca.gov.



Interactive Reel Catalog

Visit www.reelcraft.com/catalog for complete product specifications, available parts and accessories.

Models listed with an icon can ship same day upon request when the order is received by 1:00 PM Eastern Time for quantities of 10 or fewer.

Indiana Warehouse

California Warehouse

Indiana & California Warehouses

Canadian Warehouse

Ultra-Compact & Enclosed Reels | Series B3000 / 5000 / 7000

Premium Duty Spring Retractable Hose Reels

Series B3000 - Air/Water - 1/4", 3/8" I.D.

Reelcraft's Series 3000 reels are all-steel, powder coated construction and ultra-compact for a wide range of bench mount or mobile applications with critical space requirements. These compact reels easily fit within a 1 ft. x 1 ft. space. The reels incorporate multiple slotted mounting holes to accommodate many configurations. An optional guide arm accessory is available for multiple adjustment positions of the hose.

NEW!



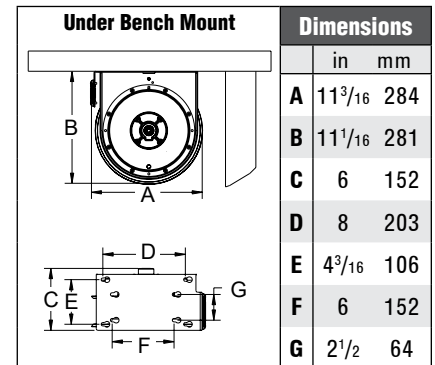
B3415 OLP



S602805 - Optional guide arm accessory

Model with hose	Shipping Weight		Hose I.D.		Hose O.D.		Hose Length		Max Pressure		NPT(M) Hose Outlet	NPT(F) Reel Inlet
	lbs	kg	in	mm	in	mm	ft	m	psi	bar	in	in
Low Pressure Air / Water Hose Reels Maximum temperature 150 °F (65 °C)												
B3415 OLP	17	7.7	1/4	6	.475	12	15	4.6	300	21	1/4	3/8
B3425 OLP	18	8.2	1/4	6	.475	12	25	7.6	300	21	1/4	3/8
B3610 OLP	17	7.7	3/8	10	.600	15	10	3.0	300	21	1/4	3/8
B3620 OLP	18	8.2	3/8	10	.600	15	20	6.1	300	21	1/4	3/8
S602805	1.1	0.5	Optional guide arm accessory for multiple adjustment positions.									

Low pressure reels furnished standard with PVC hose.



Premium Duty Enclosed Hose Reels

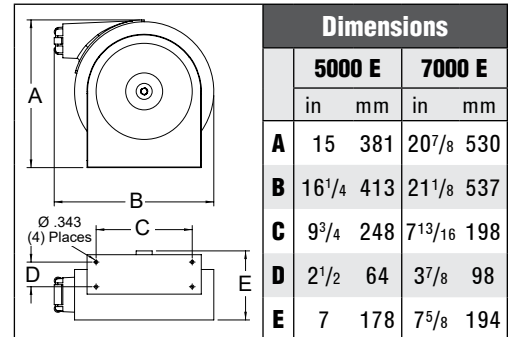
Series 5000/7000 - 1/4", 3/8" I.D.

Enclosed reels feature a steel enclosure that offers an additional level of protection for the hose from potentially harmful foreign debris. These reels are designed such that removing the cover on either side will allow access to the majority of serviceable parts.

Made in USA



5635 ELP



Model with Hose	Shipping Weight		Hose I.D.		Hose O.D.		Hose Length		**Max Pressure	NPT(M) Hose Outlet	NPT(F) Reel Inlet	Model without hose & bumper	Shipping Weight		Pressure		
	lbs	kg	in	mm	in	mm	ft	m	psi	bar	in		in	lbs	kg	psi	bar
Low Pressure Air/Water Reels Maximum temperature 150 °F (65 °C) **Maximum working pressure at 70 °F (20 °C)																	
5450 ELP	34	15	1/4	6	.475	12	50	15	300	21	1/4	3/8	5400 ELP	25	11	500	35
5635 ELP	33	15	3/8	10	.600	15	35	11	300	21	1/4	3/8	5600 ELP	29	13	500	35
7650 ELP	60	27	3/8	10	.600	15	50	15	300	21	1/4	1/2	7600 ELP	57	26	500	35
Medium Pressure Oil Reels Maximum temperature 210 °F (99 °C)																	
5630 EMP	39	18	3/8	10	.690	18	30	9	2600	179	3/8	3/8	5600 EMP	32	15	3000	207
7650 EMP	72	33	3/8	10	.690	18	50	15	2600	179	3/8	1/2	7600 EMP	60	27	3000	207
High Pressure Grease Reels Maximum temperature 210 °F (99 °C)																	
5625 EHP	40	18	3/8	10	.730	19	25	8	4800	331	1/4	1/4	5600 EHP	34	15	5000	345
7450 EHP	72	33	1/4	6	.580	15	50	15	5000	345	1/4	1/2	7400 EHP	60	27	5000	345

Low pressure reels furnished standard with PVC hose. Medium pressure reels furnished standard with S.A.E. 100R1-AT one wire braid hose. High pressure reels furnished standard with S.A.E. 100 R2T two wire braid hose. Models without hose maximum temperature is 210 °F (99 °C). Visit reelcraft.com for additional sizes and capacities.

Models listed with an icon can ship same day upon request when the order is received by 1:00 PM Eastern Time for quantities of 10 or fewer.

- Indiana Warehouse
- California Warehouse
- Indiana & California Warehouses
- Canadian Warehouse



Interactive Reel Catalog

Visit www.reelcraft.com/catalog for complete product specifications, available parts and accessories.

Prop 65: ⚠ WARNING:
Cancer and Reproductive Harm
www.P65Warnings.ca.gov.

Customer Service: 1.855.634.9109
All Other Calls: 1.800.444.3134



Compact, Versatile Reels | Series 4000 / 5000 / 5005

Made in USA 



4625 OLP

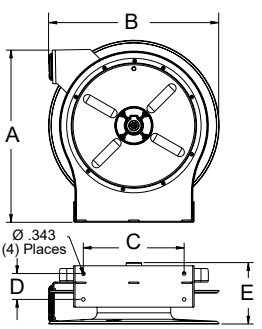
5635 OLP

5650 OLP

Premium Duty Spring Retractable Reels

Air/Water/Oil/Grease - 1/4", 3/8", 1/2" I.D.

Series 4000, 5000, and 5005 reels are all-steel construction and compact for a wide range of applications with critical space requirements. A full flow shaft and swivel assures maximum product delivery. Guide arm adjusts to two positions.

	Dimensions - Size Index							
	1		2		3		4	
	in	mm	in	mm	in	mm	in	mm
A	12 ⁷ / ₈	327	14 ³ / ₈	365	17 ⁵ / ₈	448	17 ⁵ / ₈	448
B	12 ⁵ / ₈	321	14 ¹ / ₄	362	16 ³ / ₄	425	16 ³ / ₄	425
C	8	203	9 ³ / ₄	248	9 ³ / ₄	248	9 ³ / ₄	248
D	2 ¹ / ₂	64	2 ¹ / ₂	64	2 ¹ / ₂	64	2 ¹ / ₂	64
E	5 ⁵ / ₈	143	6 ¹ / ₈	156	5 ⁷ / ₈	149	7 ¹ / ₄	184

NOTE: See operating instructions for optimum mounting configuration.



Air Vend Reels

AV4425 OLPBWR

Visit www.reelcraft.com/catalog for air vend reels.

Side Mount Reels

4625 OLPSML

Visit www.reelcraft.com/catalog for side mount models.



Quiet latch with Hose	Ratchet latch with Hose	Shipping Weight	Hose I.D.	Hose O.D.	Hose Length	**Max Pressure	NPT(M) Hose Outlet	NPT(F) Reel Inlet	Quiet latch without hose or bumper	Shipping Weight	Pressure	Size Index #
lbs kg	in mm	in mm	ft m	psi bar	in	in	lbs kg	psi bar				
Low Pressure Air/Water Reels Maximum temperature 150 °F (65 °C) w/hose / 210 °F (99 °C) w/o hose **Maximum working pressure at 70 °F (20 °C)												
4420 OLP	-----	18 8	1/4 6	.475 12	20 6	300 21	1/4	3/8	4400 OLP	17 8	500 35	1
4425 OLP	B4425 OLP	19 9	1/4 6	.475 12	25 8	300 21	1/4	3/8	4400 OLP	17 8	500 35	1
4435 OLP	B4435 OLP	19 9	1/4 6	.475 12	35 11	300 21	1/4	3/8	4400 OLP	17 8	500 35	1
5450 OLP	B5450 OLP	26 12	1/4 6	.475 12	50 15	300 21	1/4	3/8	5400 OLP	20 9	500 35	2
4617 OLP	-----	19 9	3/8 10	.600 15	17 5	300 21	1/4	3/8	4600 OLP	17 8	500 35	1
4625 OLP	B4625 OLP	20 9	3/8 10	.600 15	25 8	300 21	1/4	3/8	4600 OLP	17 8	500 35	1
5635 OLP	B5635 OLP	25 11	3/8 10	.600 15	35 11	300 21	1/4	3/8	5600 OLP	21 10	500 35	2
5650 OLP	B5650 OLP	36 16	3/8 10	.600 15	50 15	300 21	1/4	3/8	5605 OLP	31 14	500 35	3
A5825 OLP	B5825 OLP	27 12	1/2 13	.750 19	25 8	300 21	1/2	3/8	A5800 OLP	22 10	500 35	2
A5835 OLP	B5835 OLP	39 18	1/2 13	.750 19	35 11	300 21	1/2	3/8	A5805 OLP	32 15	500 35	3
A5850 OLP	B5850 OLP	41 19	1/2 13	.750 19	50 15	300 21	1/2	3/8	A5806 OLP	35 16	500 35	4
Medium Pressure Oil Reels Maximum temperature 210 °F (99 °C)												
5435 OMP	B5435 OMP	31 14	1/4 6	.530 13	35 11	2750 190	1/4	3/8	5400 OMP	23 10	3000 207	2
5630 OMP	B5630 OMP	31 14	3/8 10	.690 18	30 9	2600 179	3/8	3/8	5600 OMP	24 11	3000 207	2
A5825 OMP*	B5825 OMP*	34 15	1/2 13	.820 21	25 8	3000 207	1/2	3/8	A5800 OMP	24 11	3000 207	2
A5835 OMP	B5835 OMP	42 19	1/2 13	.820 21	35 11	3000 207	1/2	3/8	A5805 OMP	32 15	3000 207	3
High Pressure Grease Reels Maximum temperature 210 °F (99 °C)												
5430 OHP	-----	30 14	1/4 6	.580 15	30 9	5000 345	1/4	1/4	5400 OHP	23 10	5000 345	2
5435 OHP	B5435 OHP	39 18	1/4 6	.580 15	35 11	5000 345	1/4	1/4	5405 OHP	33 15	5000 345	3
5625 OHP	B5625 OHP	32 15	3/8 10	.730 19	25 8	4800 331	1/4	1/4	5600 OHP	26 12	5000 345	2

*Floor tank mount only - do not mount on ceiling. Low pressure reels furnished standard with PVC hose. Compressed air hoses should not be converted to oxygen service - may cause explosion when O₂ mixes with fuel. Medium pressure reels furnished standard with S.A.E. 100R1-AT (1/4" and 3/8") or S.A.E. 100R17 (1/2") one wire braid hose. High pressure reels furnished standard with S.A.E. 100 R2T two wire braid hose. Reference page 6 for guide arm positions.

Prop 65:  **WARNING:**
Cancer and Reproductive Harm
www.P65Warnings.ca.gov.



Interactive Reel Catalog

Visit www.reelcraft.com/catalog for complete product specifications, available parts and accessories.

Models listed with an icon can ship same day upon request when the order is received by 1:00 PM Eastern Time for quantities of 10 or fewer.

 Indiana Warehouse

 California Warehouse

 Indiana & California Warehouses

 Canadian Warehouse

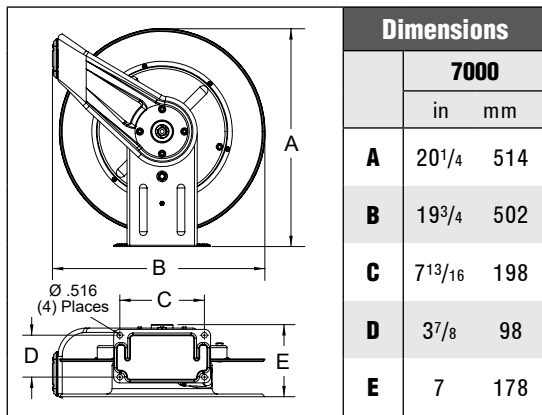
Heavy Duty Spring Retractable Hose Reels

Air/Water/Oil/Grease - 1/4", 3/8", 1/2", 3/4" I.D.

Series 7000 is very robust and ideal for the most demanding applications. The reel's base and guide arm are formed from high-grade steel and engineered with structural forms and gussets to yield the greatest amount of strength. The standard low pressure hose is for air or water service only. The basic reel without hose can be used for air, water or oil. Consult Reelcraft for other products and hoses. Guide arm adjusts to 7 positions.



7850 OLP



For all metric thread connections over 1/2" add the suffix number 70 to indicate BSPT threads - example 7900 OLP70.

Applications

- Industrial
- Automotive service centers
- Transmission shops
- Fleet maintenance facilities
- Pneumatic tools
- Aircraft maintenance
- Tire stores
- Agriculture
- Service trucks
- Wash down



Enclosed Reels

7650 ELP

See bottom of page 9 or visit

www.reelcraft.com/catalog

for enclosed reels.

Model with Hose	Shipping Weight		Hose I.D.		Hose O.D.		Hose Length		**Max Pressure		NPT(M) Hose Outlet	NPT(F) Reel Inlet	Model without hose & bumper	Shipping Weight		Pressure	
	lbs	kg	in	mm	in	mm	ft	m	psi	bar	in	in		lbs	kg	psi	bar
Low Pressure Air/Water Reels Maximum temperature 150 °F (65 °C) w/hose / 210 °F (99 °C) w/o hose **Maximum working pressure at 70 °F (20 °C)																	
7650 OLP	43	20	3/8	10	.600	15	50	15	300	21	1/4	1/2	7600 OLP	40	18	500	35
7670 OLP	47	21	3/8	10	.600	15	70	22	300	21	1/4	1/2	7607 OLP	40	18	500	35
7850 OLP	47	21	1/2	13	.750	19	50	15	300	21	3/8	1/2	7800 OLP	41	19	500	35
7850 OLP121	47	21	1/2	13	.750	19	50	15	300	21	1/2	1/2	7800 OLP	41	19	500	35
7850 OLP5W57	47	21	1/2	13	.750	19	50	15	300	21	3/4 NH	1/2	7800 OLP	41	19	500	35
GC7535 OLP*	55	25	5/8	16	.810	21	35	11	200	14	3/4 NH	3/4 NH	Not available without hose				
7925 OLP	47	21	3/4	19	1.075	27	25	8	250	17	3/4	3/4	7900 OLP	44	20	500	35
GC7925 OLP*	53	24	3/4	19	1.075	27	25	8	250	17	3/4 NH	3/4 NH	Not available without hose				
Medium Pressure Oil Reels Maximum temperature 210 °F (99 °C)																	
7650 OMP	55	25	3/8	10	.690	18	50	15	2600	179	3/8	1/2	7600 OMP	43	20	3000	207
7850 OMP	57	26	1/2	13	.820	21	50	15	3000	207	1/2	1/2	7800 OMP	43	20	3000	207
High Pressure Grease Reels Maximum temperature 210 °F (99 °C)																	
7450 OHP	55	25	1/4	6	.580	15	50	15	5000	345	1/4	1/2	7400 OHP	43	20	5000	345
7650 OHP	60	27	3/8	10	.730	19	50	15	4800	331	1/4	1/2	7600 OHP	46	21	5000	345

Low pressure reels furnished standard with PVC hose. Medium pressure reels furnished standard with S.A.E. 100R1-AT (3/8") or S.A.E. 100R17 (1/2") one wire braid hose. High pressure reels furnished standard with S.A.E. 100 R2T two wire braid hose. Consult manufacturer for hydraulic or other applications. Reference page 6 for guide arm positions. *Includes 3/4" x 10' inlet hose and garden hose valve.

Models listed with an icon can ship same day upon request when the order is received by 1:00 PM Eastern Time for quantities of 10 or fewer.

- 🇺🇸 Indiana Warehouse
- 🇨🇦 California Warehouse
- 🇺🇸🇨🇦 Indiana & California Warehouses
- 🇨🇦 Canadian Warehouse

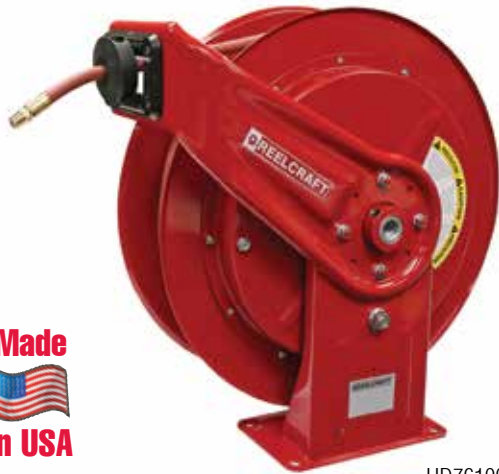


Interactive Reel Catalog

Visit www.reelcraft.com/catalog for complete product specifications, available parts and accessories.

Prop 65: ⚠️ WARNING:
Cancer and Reproductive Harm
www.P65Warnings.ca.gov.

Heavy Duty Mobile Base Hose Reels | Series HD70000

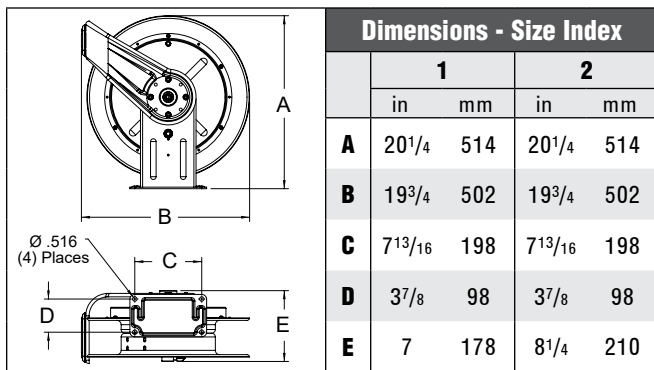


Made
in USA

HD76100 OLP

Heavy Duty Spring Retractable Reels Air/Water/Oil/Grease - 1/4", 3/8", 1/2", 3/4" I.D.

Reelcraft's Series HD70000 hose reels are designed to accommodate up to 100' of 3/8" I.D. hose or 75' of 1/2" I.D. hose. The heavy duty base design, all steel construction and a baked-on powder coat finish combine to produce a rugged, corrosion-resistant product. A newly redesigned latching mechanism provides longer service life of the latch components. The one piece guide roller design and stainless steel pins offer greater strength and easier serviceability. The high quality, die cast aluminum hub and two sealed ball bearings produce a smoother spool rotation and easier operation.



Features

- **Compact design** - Reels are 25% smaller than our heavy duty Series 80000 reels.
- **Drive spring** - The containerized drive spring offers easier handling during maintenance (size index 2 models only).
- **Versatility** - The guide arm adjusts to seven different positions for versatile mounting and a wide range of applications.

Model with Hose	Shipping Weight		Hose I.D.	Hose O.D.	Hose Length	**Max Pressure		NPT(M) Hose Outlet	NPT(F) Reel Inlet	Model without hose & bumper	Shipping Weight		Pressure		Size Index #			
	lbs	kg				in	mm				ft	m	psi	bar		in	in	lbs
Low Pressure Air/Water Reels Maximum temperature 150 °F (65 °C) w/hose / 210 °F (99 °C) w/o hose **Maximum working pressure at 70 °F (20 °C)																		
HD76050 OLP	45	20	3/8	10	.600	15	50	15	300	21	1/4	1/2	HD76000 OLP	42	19	500	35	1
HD76070 OLP	49	22	3/8	10	.600	15	70	21	300	21	1/4	1/2	HD76000 OLP	42	19	500	35	1
HD76075 OLP	65	29	3/8	10	.600	15	75	23	300	21	1/4	1/2	HD76005 OLP	56	25	500	35	2
HD76100 OLP	75	34	3/8	10	.600	15	100	30	300	21	1/4	1/2	HD76005 OLP	56	25	500	35	2
HD78050 OLP	49	22	1/2	13	.750	19	50	15	300	21	3/8	1/2	HD78000 OLP	43	20	500	35	1
HD78075 OLP	73	33	1/2	13	.750	19	75	23	300	21	3/8	1/2	HD78005 OLP	58	26	500	35	2
HD79025 OLP	49	27	3/4	19	1.075	27	25	8	250	17	3/4	3/4	HD79000 OLP	46	21	500	35	1
Medium Pressure Oil Reels Maximum temperature 210 °F (99 °C)																		
HD76050 OMP	57	26	3/8	10	.690	18	50	15	2600	179	3/8	1/2	HD76000 OMP	45	20	3000	207	1
HD76075 OMP	85	39	3/8	10	.690	18	75	23	2600	179	3/8	1/2	HD76005 OMP	60	27	3000	207	2
HD78050 OMP	59	27	1/2	13	.820	21	50	15	3000	207	1/2	1/2	HD78000 OMP	43	20	3000	207	1
HD78065 OMP	78	35	1/2	13	.820	21	65	20	3000	207	1/2	1/2	HD78005 OMP	60	27	3000	207	2
High Pressure Grease Reels Maximum temperature 210 °F (99 °C)																		
HD74050 OHP	57	26	1/4	6	.580	15	50	15	5000	345	1/4	1/2	HD74000 OHP	45	20	5000	345	1
HD74075 OHP	80	36	1/4	6	.580	15	75	23	5000	345	1/4	1/2	HD74005 OHP	60	27	5000	345	2
HD74100 OHP	86	39	1/4	6	.580	15	100	30	5000	345	1/4	1/2	HD74005 OHP	60	27	5000	345	2
HD76050 OHP	62	28	3/8	10	.730	19	50	15	4800	331	1/4	1/2	HD76000 OHP	48	22	5000	345	1
HD76075 OHP	90	41	3/8	10	.730	19	75	23	4800	331	1/4	1/2	HD76005 OHP	60	27	5000	345	2

Low pressure reels furnished standard with PVC hose. Medium pressure reels furnished standard with S.A.E. 100R1-AT (3/8") or S.A.E. 100R17 (1/2") one wire braid hose. High pressure reels furnished standard with S.A.E. 100 R2T two wire braid hose. Reference page 6 for guide arm positions.

Prop 65: **WARNING:**
Cancer and Reproductive Harm
www.P65Warnings.ca.gov.



Interactive Reel Catalog

Visit www.reelcraft.com/catalog for complete product specifications, available parts and accessories.

Models listed with an icon can ship same day upon request when the order is received by 1:00 PM Eastern Time for quantities of 10 or fewer.

Indiana Warehouse

California Warehouse

Indiana & California Warehouses

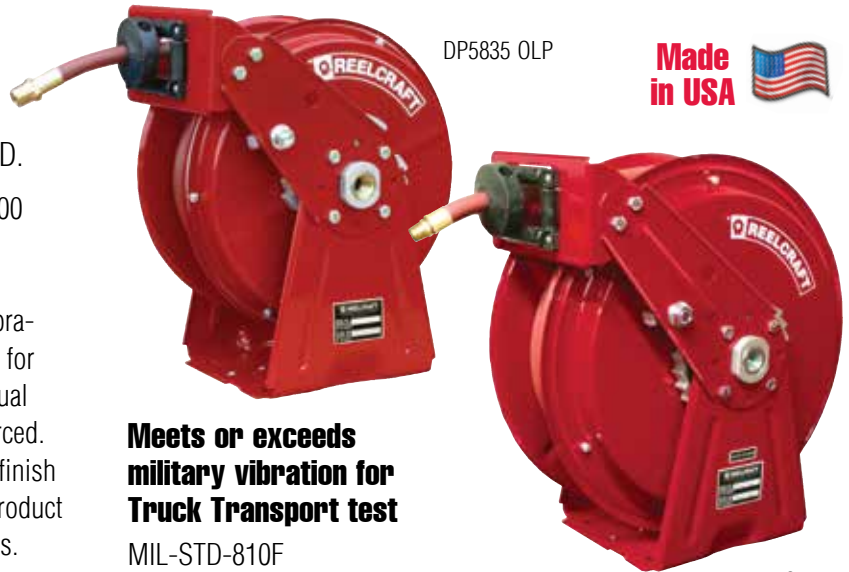
Canadian Warehouse

Heavy Duty Compact, Dual Pedestal Reels | Series DP5000 / DP7000

Heavy Duty Spring Retractable Hose Reels

Air/Water/Oil/Grease - 1/4", 3/8", 1/2" I.D.

Reelcraft's new compact dual pedestal Series DP5000 and DP7000 feature an innovative, non-welded, interlocking base. Independent testing to military standards has proven the reel stand up to heavy vibration, which makes them especially strong and ideal for truck-mounted applications. Superbly engineered dual pedestal base and guide arm are structurally reinforced. All-steel construction and a baked-on powder coat finish combine to produce a rugged corrosion-resistant product suitable for a wide variety of heavy duty applications.



DP5835 OLP

Made in USA

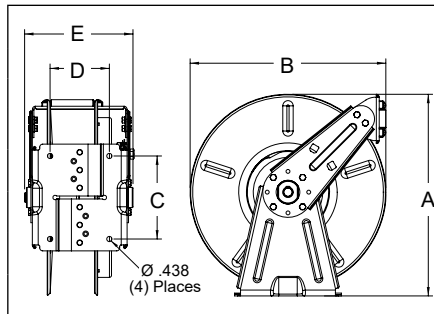
DP7850 OLP

Meets or exceeds military vibration for Truck Transport test

**MIL-STD-810F
500,000 mile equivalent**

Features

- **Superior corrosion-resistance** - A double adhesive gasket seals the spring case.
- **Ease of operation** - The latch pawl is mounted on the guide arm to prevent latch out at full extension.



Dimensions - Size Index				
	1	2	3	4
	in mm	in mm	in mm	in mm
A	16 ³ / ₈ 416	16 ³ / ₈ 416	17 432	17 432
B	14 ³ / ₈ 365	14 ³ / ₈ 365	16 ¹ / ₂ 419	16 ¹ / ₂ 419
C	7 178	7 178	7 178	7 178
D	4 102	5 127	4 102	5 127
E	8 203	9 229	8 203	9 229

Model with Hose	Shipping Weight lbs kg	Hose I.D. in mm	Hose O.D. in mm	Hose Length ft m	**Max Pressure psi bar	NPT(M) Hose Outlet in	NPT(F) Reel Inlet in	Model without hose & bumper	Shipping Weight lbs kg	Pressure psi bar	Size Index #
Low Pressure Air/Water Reels Maximum temperature 150 °F (65 °C) w/hose / 210 °F (99 °C) w/o hose **Maximum working pressure at 70 °F (20 °C)											
DP5435 OLP	34 15	1/4 6	.475 12	35 11	300 21	1/4	1/2	DP5400 OLP	29 13	500 35	1
DP5450 OLP	37 17	1/4 6	.475 12	50 15	300 21	1/4	1/2	DP5400 OLP	29 13	500 35	1
DP7450 OLP	46 21	1/4 6	.475 12	50 15	300 21	1/4	1/2	DP7400 OLP	44 20	500 35	3
DP5635 OLP	41 19	3/8 10	.600 15	35 11	300 21	1/4	1/2	DP5600 OLP	37 17	500 35	1
DP5650 OLP	44 20	3/8 10	.600 15	50 15	300 21	1/4	1/2	DP5605 OLP	38 17	500 35	2
DP7650 OLP	50 23	3/8 10	.600 15	50 15	300 21	1/4	1/2	DP7600 OLP	44 20	500 35	3
DP5835 OLP	52 24	1/2 13	.750 19	35 11	300 21	3/8	1/2	DP5800 OLP	38 17	500 35	2
DP7850 OLP	53 24	1/2 13	.750 19	50 15	300 21	3/8	1/2	DP7800 OLP	45 20	500 35	4
DP7850 OLP121	53 24	1/2 13	.750 19	50 15	300 21	1/2	1/2	DP7800 OLP	45 20	500 35	4
Medium Pressure Oil Reels Maximum temperature 210 °F (99 °C)											
DP7650 OMP	55 25	3/8 10	.690 18	50 15	2600 179	3/8	1/2	DP7600 OMP	45 20	3000 207	3
DP5835 OMP	54 24	1/2 13	.820 21	35 11	3000 207	1/2	1/2	DP5800 OMP	40 18	3000 207	2
DP7850 OMP	64 29	1/2 13	.820 21	50 15	3000 207	1/2	1/2	DP7800 OMP	45 20	3000 207	4
High Pressure Grease Reels Maximum temperature 210 °F (99 °C)											
DP7450 OHP	59 27	1/4 6	.580 15	50 15	5000 345	1/4	1/2	DP7400 OHP	44 20	5000 345	3
DP5635 OHP	43 20	3/8 10	.730 19	35 11	4800 331	3/8	1/2	DP5600 OHP	40 18	5000 345	2
DP7650 OHP	65 29	3/8 10	.730 19	50 15	4800 331	1/4	1/2	DP7600 OHP	46 21	5000 345	3

Low pressure reels furnished standard with PVC hose. Medium pressure reels furnished standard with S.A.E. 100R1-AT (3/8") or S.A.E. 100R17 (1/2") one wire braid hose. High pressure reels furnished standard with S.A.E. 100 R2T two wire braid hose. Reference page 6 for guide arm positions.

Models listed with an icon can ship same day upon request when the order is received by 1:00 PM Eastern Time for quantities of 10 or fewer.

- Indiana Warehouse
- California Warehouse
- Indiana & California Warehouses
- Canadian Warehouse



Interactive Reel Catalog

Visit www.reelcraft.com/catalog for complete product specifications, available parts and accessories.

Prop 65: ⚠ WARNING:
Cancer and Reproductive Harm
www.P65Warnings.ca.gov.

Customer Service: 1.855.634.9109
All Other Calls: 1.800.444.3134

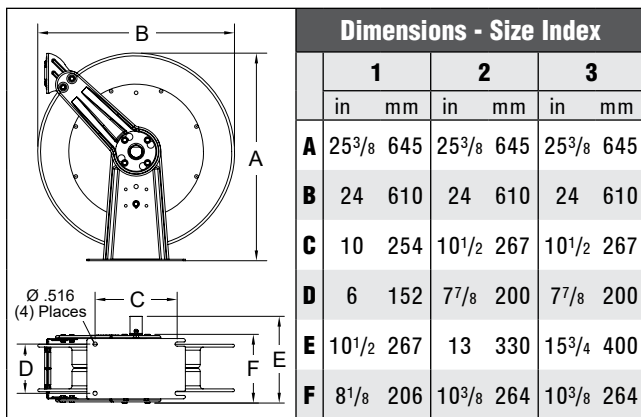


Heavy Duty Dual Pedestal Hose Reels | Series 80000 / D80000



Made
in USA

82100 OLP



		Dimensions - Size Index					
		1		2		3	
		in	mm	in	mm	in	mm
A	25 ³ / ₈	645	25 ³ / ₈	645	25 ³ / ₈	645	
B	24	610	24	610	24	610	
C	10	254	10 ¹ / ₂	267	10 ¹ / ₂	267	
D	6	152	7 ⁷ / ₈	200	7 ⁷ / ₈	200	
E	10 ¹ / ₂	267	13	330	15 ³ / ₄	400	
F	8 ¹ / ₈	206	10 ³ / ₈	264	10 ³ / ₈	264	

Heavy Duty Spring Retractable Reels Air/Water/Oil/Grease - 3/8", 1/2", 3/4", 1" I.D.

Reelcraft's Series 80000 and D80000 spring retractable reels incorporate the most current design and manufacturing techniques to increase service life and performance. The all-steel construction and a baked-on powder coat finish combine to produce a rugged, corrosion-resistant product suitable for a wide variety of heavy duty applications. Series D80000 reels are also supplied with Reelcraft's ball-bearing style swivel.

For all metric thread connections over 1/2" add the suffix number 70 to indicate BSPT threads - example 83050 OLP70.

Features

- Dual pedestal base and guide arm design are structurally reinforced.
- Five-in-one, heat-treated aluminium casting incorporates main shaft, ratchet, spring arbor and inlet/outlet plumbing in one-piece casting.
- Containerized spring assembly provides safer and easier handling during maintenance.
- Two sealed ball bearings for smooth rotation of main shaft.

Model with Hose	Shipping Weight		Hose I.D.		Hose O.D.		Hose Length		**Max Pressure	NPT(M) Hose Outlet	NPT(F) Reel Inlet	Model without hose & bumper	Shipping Weight		Pressure	Size Index #		
	lbs	kg	in	mm	in	mm	ft	m	psi	bar	in		in	lbs			kg	psi
Low Pressure Air/Water Reels Maximum temperature 150 °F (65 °C) w/hose / 210 °F (99 °C) w/o hose **Maximum working pressure at 70 °F (20 °C)																		
81075 OLP	76	34	3/8	10	.600	15	75	23	300	21	3/8	1/2	81000 OLP	77	35	500	35	1
81100 OLP	82	37	3/8	10	.600	15	100	30	300	21	3/8	1/2	81000 OLP	77	35	500	35	1
82075 OLP	87	39	1/2	13	.750	19	75	23	300	21	1/2	1/2	82000 OLP	82	37	500	35	1
82100 OLP	95	43	1/2	13	.750	19	100	30	300	21	1/2	1/2	82000 OLP	82	37	500	35	1
GCD85100 OLP*	95	43	5/8	16	1.000	25	100	30	250	17	3/4 NH	3/4 NH	Not available without hose				3	
83050 OLP	88	40	3/4	19	1.075	27	50	15	250	17	3/4	3/4	83000 OLP	77	35	500	35	1
GC83050 OLP*	89	41	3/4	19	1.075	27	50	15	250	17	3/4 NH	3/4 NH	Not available without hose				1	
D83075 OLP	102	46	3/4	19	1.075	27	75	23	250	17	3/4	3/4	D83000 OLP	83	38	500	35	2
D84035 OLP	97	44	1	25	1.375	35	35	11	250	17	3/4	1	D84000 OLP	91	41	500	35	3
D84050 OLP	103	47	1	25	1.375	35	50	15	250	17	3/4	1	D84000 OLP	91	41	500	35	3
Medium Pressure Oil Reels Maximum temperature 210 °F (99 °C)																		
82075 OMP	101	46	1/2	13	.850	22	75	23	2000	138	1/2	1/2	82000 OMP	82	37	3000	207	1
82100 OMP	109	49	1/2	13	.850	22	100	30	3000	207	1/2	1/2	82000 OMP	82	37	3000	207	1
83050 OMP	98	44	3/4	19	1.188	30	50	15	1250	86	3/4	3/4	83000 OMP	84	38	1500	103	1
D84050 OMP	122	55	1	25	1.400	36	50	15	1275	88	1	1	D84000 OMP	86	39	1500	103	3
High Pressure Grease Reels Maximum temperature 210 °F (99 °C)																		
81075 OHP	111	50	3/8	10	.730	19	75	23	4800	331	3/8	3/8	81000 OHP	85	39	5000	345	1
81100 OHP	127	58	3/8	10	.730	19	100	30	4800	331	3/8	3/8	81000 OHP	85	39	5000	345	1

Low pressure reels furnished standard with PVC hose. Medium pressure reels are furnished standard with S.A.E. 100R17 (1/2"), S.A.E. 100R1-AT (3/4"), or S.A.E. 100R1 (1") one wire braid hose. High pressure reels furnished standard with SAE 100 R2T two wire braid hose. See page 18 for gasoline and diesel fuel models. Reference page 6 for guide arm positions. *Includes 3/4" x 10' inlet hose.

Prop 65: **WARNING:**
Cancer and Reproductive Harm
www.P65Warnings.ca.gov.



Interactive Reel Catalog

Visit www.reelcraft.com/catalog for complete product specifications, available parts and accessories.

Models listed with an icon can ship same day upon request when the order is received by 1:00 PM Eastern Time for quantities of 10 or fewer.

Indiana Warehouse

California Warehouse

Indiana & California Warehouses

Canadian Warehouse

Spring Retractable Low Profile Reels Air/Water/Oil/Vacuum Recovery - 3/4", 1" I.D.

Series SD10000 hose reels are designed to facilitate larger diameter 3/4" and 1" hose up to 50 ft. They feature a high quality external drive spring and a heavy gauge all-bolted together frame. The containerized external drive spring assembly offers easier handling during maintenance. This is the most compact reel in its class, making it ideal for mounting in truck cabinets or other areas where space is limited.



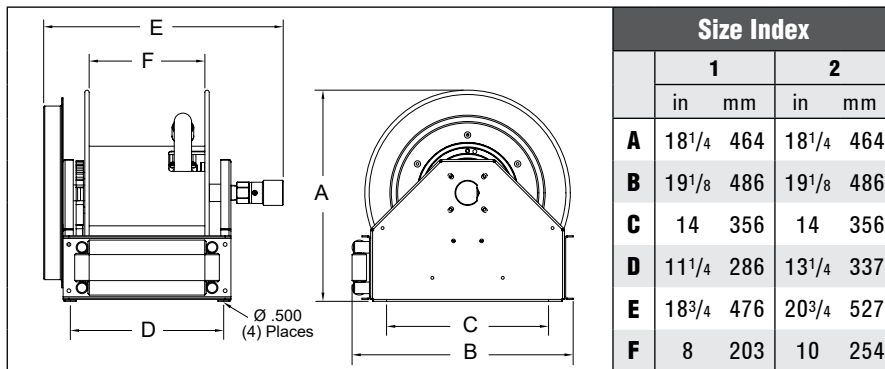
SD13050 OLP

Features

- Reel features extreme space saving design, ideal for applications with minimal space constraints.
- Reel is built with high quality industrial grade components for superior strength and design.



- High impact UHMW guide rollers
- Corrosion resistant powder coat paint
- 1³/₈" solid main shaft
- Four 5/8" tie rods maintain reel integrity and provide added support
- Ultra low profile design for mounting in cabinetry
- Ductile iron fluid path parts
- Stainless latch spring and widened aluminum ratchet/pawl
- Torsion spring for longer service life



All models are bottom wind unless otherwise specified. Additional bracket required for other guide arm positions.

Model with Hose	Shipping Weight		Hose I.D.		Hose O.D.		Hose Length		**Max Pressure		NPT(M) Hose Outlet	NPT(F) Reel Inlet	Model without hose & bumper	Shipping Weight		Pressure		Size Index #
	lbs	kg	in	mm	in	mm	ft	m	psi	bar	in	in		lbs	kg	psi	bar	
Low Pressure Air/Water Reels Maximum temperature 150 °F (65 °C) w/hose / 210 °F (99 °C) w/o hose **Maximum working pressure at 70 °F (20 °C)																		
SD13035 OLP	95	43	3/4	19	1.188	30	35	11	250	17	3/4	1	SD13000 OLP	85	39	500	35	1
SD13050 OLP	105	48	3/4	19	1.188	30	50	15	250	17	3/4	1	SD13000 OLP	85	39	500	35	1
SD14035 OLP	102	46	1	25	1.375	35	35	11	250	17	3/4	1	SD14000 OLP	85	39	500	35	1
SD14050 OLP	125	57	1	25	1.375	35	50	15	250	17	3/4	1	SD14005 OLP	92	42	500	35	2
Medium Pressure Oil Reels Maximum temperature 210 °F (99 °C)																		
SD13035 OMP	95	43	3/4	19	1.188	30	35	11	1250	86	3/4	1	SD13000 OMP	85	39	3000	207	1
SD13050 OMP	105	48	3/4	19	1.188	30	50	15	1250	86	3/4	1	SD13000 OMP	85	39	3000	207	1
Vacuum Recovery Reels Maximum temperature 210 °F (99 °C)																		
SD13035 OVP	95	43	3/4	19	1.260	32	35	11	28 Hg~300 psi		3/4	1	SD13000 OVP	85	39	28 Hg~500 psi		1
SD13050 OVP	105	48	3/4	19	1.260	32	50	15	28 Hg~300 psi		3/4	1	SD13000 OVP	85	39	28 Hg~500 psi		1
SD14035 OVP	102	46	1	25	1.496	38	35	11	28 Hg~250 psi		1	1	SD14000 OVP	85	39	28 Hg~500 psi		1
SD14050 OVP	125	57	1	25	1.496	38	50	15	28 Hg~250 psi		1	1	SD14005 OVP	92	42	28 Hg~500 psi		2

NOTE: Vacuum recovery reel capacities based on using SAE 100 R4 hose or equivalent. Maximum O.D. is 1.500".

Models listed with an icon can ship same day upon request when the order is received by 1:00 PM Eastern Time for quantities of 10 or fewer.

- Indiana Warehouse
- California Warehouse
- Indiana & California Warehouses
- Canadian Warehouse



Interactive Reel Catalog

Visit www.reelcraft.com/catalog for complete product specifications, available parts and accessories.

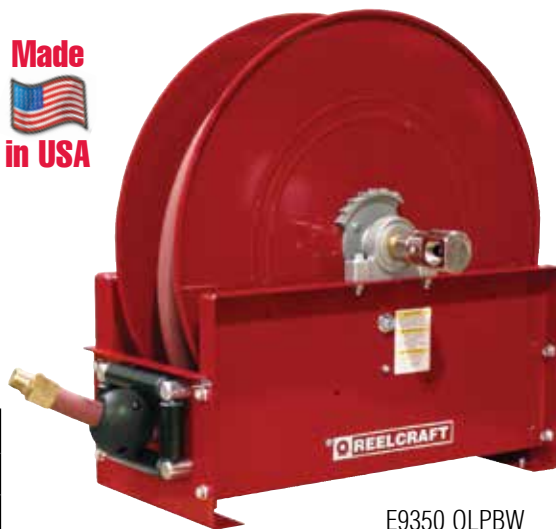
Prop 65: ⚠ WARNING:
Cancer and Reproductive Harm
www.P65Warnings.ca.gov.

Vehicle-Mount Hose Reels | Series 9000

Ultimate Duty Spring Retractable Reels

Air/Water/Oil/Grease - 3/8", 1/2", 3/4", 1", 1 1/4", 1 1/2" I.D.

Series 9000 mobile base reels offer the greatest amount of stability for high volume air, water, oil, and grease. Ideal for portable service trucks, permanent service or plant work areas. A durable baked-on powder coat finish produces a rugged corrosion resistant product suitable for a wide variety of heavy duty applications. Basic reels without hose will handle air, water or oil; consult Reelcraft for other applications.

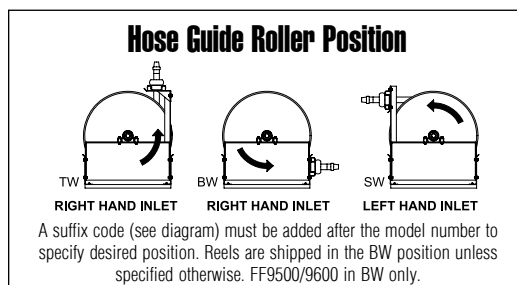


Made



in USA

E9350 OLPBW

	Dimensions - Size Index							
	1		2		3		4	
	in	mm	in	mm	in	mm	in	mm
A	26 ³ / ₈	670	26 ³ / ₈	670	26 ³ / ₈	670	26 ¹ / ₄	667
B	26 ¹ / ₄	667	26 ¹ / ₄	667	26 ¹ / ₄	667	25	635
C	22 ¹ / ₄	565	22 ¹ / ₄	565	21 ¹⁵ / ₁₆	557	22	559
D	7 ³ / ₄	197	13 ¹ / ₂	343	7 ³ / ₄	197	9 ¹ / ₂	241
E	12	305	17 ³ / ₄	451	13 ³ / ₈	340	17 ¹ / ₄	438
F	24 ¹ / ₈	613	24 ¹ / ₈	613	24 ¹ / ₈	613	24 ¹ / ₄	616
G	4 ³ / ₄	121	3 ⁷ / ₈	98	4 ¹ / ₂	114	3 ⁷ / ₈	98



****Series G9000 reels have an external drive spring and a removable gooseneck.**

Model with Hose	Shipping Weight		Hose I.D.		Hose O.D.		Hose Length		**Max Pressure		NPT(M) Hose Outlet	NPT(F) Reel Inlet	Model without hose & bumper	Shipping Weight		Pressure		Size Index #
	lbs	kg	in	mm	in	mm	ft	m	psi	bar	in	in		lbs	kg	psi	bar	
Low Pressure Air/Water Reels Maximum temperature 150 °F (65 °C) w/hose / 210 °F (99 °C) w/o hose **Maximum working pressure at 70 °F (20 °C)																		
E9275 OLP	122	55	1/2	13	.750	19	75	23	300	21	1/2	1/2	E9200 OLP	115	52	500	35	1
E9299 OLP	127	58	1/2	13	.750	19	100	30	300	21	1/2	1/2	E9205 OLP	115	52	500	35	1
E9350 OLP	140	64	3/4	19	1.075	27	50	15	250	17	3/4	3/4	E9300 OLP	115	52	500	35	1
E9375 OLP	152	69	3/4	19	1.075	27	75	23	250	17	3/4	3/4	E9300 OLP	115	52	500	35	1
E9399 OLPBW	143	65	3/4	19	1.075	27	100	30	250	17	3/4	3/4	E9305 OLPBW	115	52	500	35	3
E9450 OLP	157	71	1	25	1.375	35	50	15	250	17	3/4	1	E9400 OLP	115	52	500	35	1
D9465 OLPBW*	164	74	1	25	1.375	35	65	20	250	17	3/4	1	D9405 OLPBW*	115	52	500	35	3
Not available with hose			1 1/4	32	1.750	44	50	15	---	---	-----	1 1/2	FF9500 OLPBW 	125	57	600	41	2
Not available with hose			1 1/2	38	2.000	51	50	15	---	---	-----	1 1/2	FF9600 OLPBW 	135	61	600	41	2
Medium Pressure Oil Reels Maximum temperature 210 °F (99 °C)																		
E9275 OMP	131	59	1/2	13	.820	21	75	23	3000	207	1/2	1/2	E9200 OMP	117	53	3000	207	1
E9350 OMP	142	64	3/4	19	1.188	30	50	15	1250	86	3/4	3/4	E9300 OMP	117	53	3000	207	1
Not available with hose			3/4	19	1.188	30	75	23	---	---	-----	3/4	G9300 OMPBW**	160	73	3000	207	4
E9450 OMP	160	73	1	25	1.480	38	50	15	3000	207	1	1	E9400 OMP	120	54	3000	207	1
Not available with hose			1	25	1.480	38	75	23	---	---	-----	1	G9400 OMPBW**	159	72	3000	207	4
High Pressure Grease Reels Maximum temperature 210 °F (99 °C)																		
E9175 OHP	153	69	3/8	10	.730	19	75	23	4800	331	3/8	1/2	E9100 OHP	118	54	5000	345	1

Low pressure reels furnished standard with PVC hose. Medium pressure reels are furnished standard with S.A.E. 100R17 (1/2" and 1") or S.A.E. 100R1-AT (3/4") one wire braid hose. High pressure reels furnished standard with S.A.E. 100 R2T two wire braid hose. *Includes non-greasable bushings/bearings; not intended for mobile applications.

Prop 65:  **WARNING:**
Cancer and Reproductive Harm
www.P65Warnings.ca.gov.



Interactive Reel Catalog
Visit www.reelcraft.com/catalog for complete product specifications, available parts and accessories.

Models listed with an icon can ship same day upon request when the order is received by 1:00 PM Eastern Time for quantities of 10 or fewer.

-  Indiana Warehouse
-  California Warehouse
-  Indiana & California Warehouses
-  Canadian Warehouse

Twin Hose, Spring Retractable Reels Dual Hydraulic - 1/4", 3/8", 1/2" I.D.

Reelcraft's hydraulic reels are used for medium pressure dual hydraulic hose applications and are ideal for operating hydraulic cylinders, tools and equipment. All twin hydraulic models include a full flow, high volume swivel for maximum product delivery. Series TH reels incorporate contemporary engineering and manufacturing techniques for high quality performance. Reels are all-steel construction and compact for applications with critical space requirements.



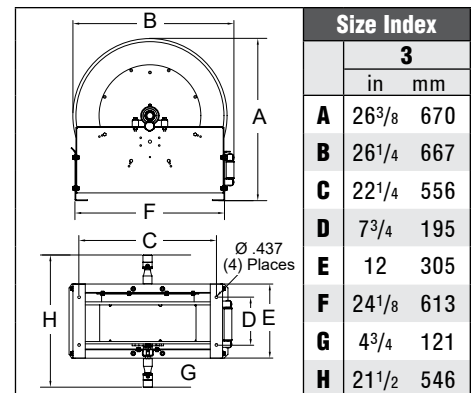
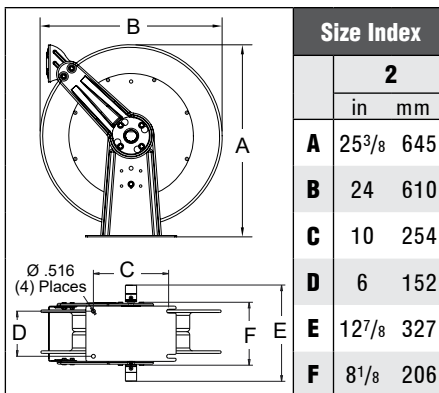
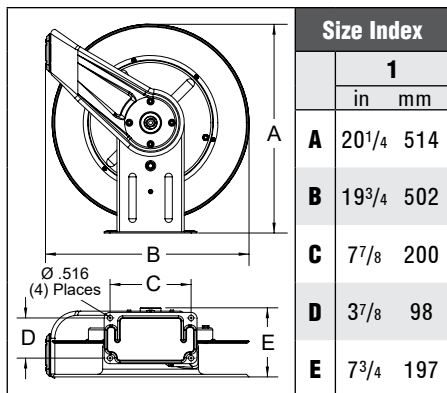
TH5425 OMP



TH7445 OMP

Applications

- Cranes
- Construction equipment
- Hydraulic tools
- Vehicle extraction tools
- Aerial device
- Hydraulic cylinders
- Tree cutters
- Digger derricks
- Railroad maintenance tools



Model with Hose	Shipping Weight		Hose I.D.		Hose O.D.		Hose Length		Pressure	NPT(M) Hose Outlet	NPT(F) Reel Inlet	Model without hose & bumper	Shipping Weight		Pressure	Size Index #	
	lbs	kg	in	mm	in	mm	ft	m					lbs	kg			psi
Medium Pressure Hydraulic Hose Reels Maximum temperature 210 °F (99 °C)																	
TH5425 OMP	34	15	1/4	6	.530	13	25	8	2000	138	1/4	TH5400 OMP	24	11	3000	207	pg. 10
TH7445 OMP	60	27	1/4	6	.530	13	45	14	2000	138	1/4	TH7400 OMP	44	20	3000	207	1
THA7630 OMP	53	24	3/8	10	.660	17	30	9	2000	138	3/8	THA7600 OMP	44	20	3000	207	1
TH86050 OMP	99	45	3/8	10	.710	18	50	15	2000	138	3/8	TH86000 OMP	88	40	3000	207	2
THA7825 OMP	57	26	1/2	13	.850	22	25	8	2000	138	3/4 JIC(F)	THA7800 OMP	50	23	3000	207	1
TH88050 OMP	104	47	1/2	13	.850	22	50	15	2000	138	1/2	TH88000 OMP	88	40	3000	207	2
TH9265 OMPBW	155	70	1/2	13	.910	24	65	20	2000	138	1/2	TH9200 OMPBW	120	54	3000	207	3

Reference page 6 for guide arm positions. Hose specifications - polyester elastomer tube with proprietary polyurethane blend, perforated black cover.

Models listed with an icon can ship same day upon request when the order is received by 1:00 PM Eastern Time for quantities of 10 or fewer.

- IN Indiana Warehouse
- CA California Warehouse
- IN, CA Indiana & California Warehouses
- CA Canadian Warehouse



Interactive Reel Catalog

Visit www.reelcraft.com/catalog for complete product specifications, available parts and accessories.

Prop 65: **WARNING:** Cancer and Reproductive Harm www.P65Warnings.ca.gov.

Fuel Delivery & Grounding Reels | Series F / Series G



FD83075 OLP

Spring Retractable Fuel Reels

3/4", 1", 1 1/4", 1 1/2" I.D.

Reelcraft's spring retractable fuel delivery reels, equipped with fuel compatible seals, incorporate metal forms to insure the greatest possible strength and are ideal for mobile and permanent-mount applications. These rugged, corrosion-resistant reels are suitable for a wide variety of fuel applications including E85. Series F/FD/FE/FSD reels are all supplied with our ball-bearing style swivel.

Diesel Exhaust Fluid (DEF) Dispensing Reels also available

Visit www.reelcraft.com/catalog for all available models.

Model with Hose	Shipping Weight		Hose I.D.		Hose O.D.		Hose Length		Pressure		NPT(M) Hose Outlet	NPT(F) Reel Inlet	Model without hose & bumper	Shipping Weight		Pressure		Size Index Page	Size Index #
	lbs	kg	in	mm	in	mm	ft	m	psi	bar	in	in		lbs	kg	psi	bar		
Low Pressure Fuel Reels Maximum temperature 150 °F (65 °C) w/hose / 210 °F (99 °C) w/o hose																			
F7925 OLP	47	21	3/4	19	1.188	30	25	8	*50	3	3/4	3/4	F7900 OLP	45	20	500	35	11	----
F83050 OLP	89	40	3/4	19	1.188	30	50	15	*50	3	3/4	3/4	F83000 OLP	74	34	500	35	14	1
FD83075 OLP	115	52	3/4	19	1.188	30	75	23	*50	3	3/4	3/4	FD83000 OLP	82	37	500	35	14	2
FD84035 OLP	94	43	1	25	1.500	38	35	11	*50	3	1	1	FD84000 OLP	84	38	500	35	14	3
FD84050 OLP	115	52	1	25	1.500	38	50	15	*50	3	1	1	FD84000 OLP	84	38	500	35	14	3
FE9350 OLP	140	64	3/4	19	1.188	30	50	15	*50	3	3/4	3/4	FE9300 OLP	115	52	500	35	16	1
FE9450 OLP	157	71	1	25	1.500	38	50	15	*50	3	1	1	FE9400 OLP	115	52	500	35	16	1
FD9350 OLP	140	64	3/4	19	1.188	30	50	15	*50	3	3/4	3/4	FD9300 OLP	114	52	500	35	16	1
FD9450 OLP	157	71	1	25	1.500	38	50	15	*50	3	1	1	FD9400 OLP	113	51	500	35	16	1
Not available with hose			1 1/4	32	1.750	44	50	15	--	--	1 1/4	1 1/2	FF9500 OLPBW	125	57	600	41	16	2
Not available with hose			1 1/2	38	2.000	51	50	15	--	--	1 1/2	1 1/2	FF9600 OLPBW	135	61	600	41	16	2
FSD13035 OLP	102	46	3/4	19	1.188	30	35	11	*50	3	3/4	1	FSD13000 OLP	85	39	500	35	15	1
FSD13050 OLP	110	50	3/4	19	1.188	30	50	15	*50	3	3/4	1	FSD13000 OLP	85	39	500	35	15	1
FSD14035 OLP	105	48	1	25	1.500	38	35	11	*50	3	1	1	FSD14000 OLP	85	39	500	35	15	1
FSD14050 OLP	127	58	1	25	1.500	38	50	15	*50	3	1	1	FSD14005 OLP	92	42	500	35	15	2

*Models equipped with UL330 and cUL Nitrile synthetic rubber (ORS) hose. 250 psi minimum burst (17 Bar). Flow rates of fuel hose are reduced by 30% with addition of internal spring type bend restrictors. For example, flow rate of F7925 OLP with internal bend restrictors is 9.0 GPM at 40 psi; flow without internal bend restrictors is 13.0 GPM at 40 psi. See page 6 for guide arm positions.

Prop 65: ⚠ WARNING:
Cancer and Reproductive Harm
www.P65Warnings.ca.gov

Static Discharge / Grounding Reels Series G 3000

Static discharge reels are used to ground equipment operating in hazardous atmospheres. When properly clamped to ground, the static discharge reel dissipates static electrical buildup, reducing the chances of sparking and the potential for explosion.



GHC3100 N

NEW!



GS3050

Model	Cable Extended		Clamp Rating	Max Temp		Cable Notes	Shipping Weight	
	ft	m		°F	°C		lbs	kg
G 3050	50	15	100 AMP	150	66	Single 7 x 7 stranded steel*	12	5
GS3050**	50	15	100 AMP	150	66	Single 7 x 7 stranded stainless steel*	12	5
G 3050 Y	50	15	100 AMP	150	66	35' (9.2m) plus dual 15' (4.6m) for Y* Total extension 50' (15m)	12	5
G 3050 N	50	15	100 AMP	150	66	Hi-vis orange nylon covered cable^	12	5
GA3100 N	100	30	100 AMP	125	52	Hi-vis orange nylon covered cable^	16	7
GHC3100 N	100	30	100 AMP	125	52	Hi-vis orange nylon covered cable^	12	5

*3/32" OD aircraft cable. DC resistance is approximately one ohm per 50 ft. of cable. **304 stainless steel housing and hardware.
^Nylon covered cable (1/8" O.D.). Refer to reelcraft.com for dimensions.

Models listed with an icon can ship same day upon request when the order is received by 1:00 PM Eastern Time for quantities of 10 or fewer.

Indiana Warehouse Indiana & California Warehouses California Warehouse Canadian Warehouse

Stainless Steel Spring Retractable Reels

Air/Water/Oil - 3/8", 1/2", 3/4", 1" I.D.

Reelcraft's stainless steel hose reels are ideal for food processing, pre-rinse, wash down, chemical transfer and industrial-solvent handling. Also suitable for coastal, off-shore and on-board ship in marine applications where the harsh environment of salt water spray requires the use of stainless steel hose reels. Swivels include Viton® O-rings. Buna seals are available for water applications by adding a -B at the end of the model number.

Note: Standard latch parts are made from aluminium. Series 80000 and D80000 stainless reels have an aluminum fluid path. Stainless latch parts and fluid path are available as a standard option by placing a -S at the end (example: OLS-S). Carbon steel reels with stainless steel fluid path are available as standard. *Stainless swivel not available on Series LC reels.



7800 OLS



D9300 OLSBW

Features

- Full-flow stainless steel shaft and swivel assures maximum product delivery. **Exception:** Series 80000 only on OLS-S models.
- Heavy duty brackets eliminate bending due to angular hose pull.
- Nylon guide rollers reduce hose drag and abrasion.
- Vibration-proof self-locking fasteners assures assembly integrity.
- 304L stainless steel

Model without hose & bumper	Model without hose & bumper SS Latch Parts	Shipping Weight lbs kg	Hose I.D. in mm	Hose O.D. in mm	Hose Length ft m	Pressure psi bar	NPT(F) Outlet in	NPT(F) Inlet in	Size Index Page	Size Index #
Low and Medium Pressure Reels Maximum temperature 210 °F (99 °C)										
5600 OLS	5600 OLS-S	22 10	3/8 10	.600 15	35 11	500 35	3/8	3/8	10	2
5600 OMS	5600 OMS-S	24 11	3/8 10	.710 18	30 9	3000 207	3/8	3/8	10	2
LC607 OLS*	-----	35 16	3/8 10	.600 15	70 21	300 21	1/4	1/4	refer to reelcraft.com	
LC800 OLS*	-----	33 15	1/2 13	.750 19	50 15	300 21	1/2	1/2	refer to reelcraft.com	
7800 OLS	7800 OLS-S	41 19	1/2 13	.750 19	50 15	500 35	1/2	1/2	11	----
7600 OMS55	7600 OMS-S55	42 19	3/8 10	.710 18	66 20	3000 207	3/8	3/8	11	----
7800 OMS	7800 OMS-S	43 20	1/2 13	.850 22	50 15	3000 207	1/2	1/2	11	----
82000 OLS	82000 OLS-S	81 37	1/2 13	.750 19	100 30	500 35	1/2	1/2	14	1
82000 OMS	82000 OMS-S	83 38	1/2 13	.850 22	75 23	1500 103	1/2	1/2	14	1
83000 OLS	83000 OLS-S	81 37	3/4 19	1.188 30	50 15	500 35	3/4	3/4	14	1
83000 OMS	83000 OMS-S	83 38	3/4 19	1.188 30	50 15	1250 86	3/4	3/4	14	1
D83000 OLS	D83000 OLS-S	84 38	3/4 19	1.188 30	75 23	500 35	3/4	3/4	14	2
D84000 OLS	D84000 OLS-S	92 42	1 25	1.375 35	50 15	500 35	1	1	14	3
D9200 OLSBW	D9200 OLSBW-S	115 52	1/2 13	.750 19	75 23	500 35	1/2	1/2	16	1
D9300 OLSBW	D9300 OLSBW-S	116 53	3/4 19	1.188 30	75 23	500 35	3/4	3/4	16	1
D9400 OLSBW	D9400 OLSBW-S	117 53	1 25	1.375 35	50 15	500 35	1	1	16	1
D9200 OMSBW	D9200 OMSBW-S	118 54	1/2 13	.850 22	75 23	3000 207	1/2	1/2	16	1
D9300 OMSBW	D9300 OMSBW-S	118 54	3/4 19	1.188 30	50 15	3000 207	3/4	3/4	16	1

For all metric thread connections over 1/2" add the suffix number 70 to indicate BSPT threads - example D83000 OLS70. Reference page 6 for guide arm positions. *Maximum temperature 150 °F (65 °C); includes Buna seals and brass swivel.

Model without Hose	Shipping Weight		Pressure	NPT(F) Outlet	NPT(F) Inlet	I.D.	1/4 6		3/8 10		1/2 13		3/4 19		1 25		Size Index # (see pg. 24)	
	lbs	kg					psi	bar	O.D.	.530 13	.710 18	.850 22	1.188 30	1.375 35				
Manual Crank Medium Pressure Reels Maximum temperature 210 °F (99 °C)																		
HS18000 M	36	16	3000	207	1/2	1/2	Hose Length	425	130	300	91	200	61	---	---	---	---	1
HS28000 M	35	16	3000	207	1/2	1/2		625	191	450	137	300	91	---	---	---	---	2
HS19000 M	38	17	3000	207	3/4	3/4		425	130	300	91	200	61	75	23	---	---	1
HS29000 M	36	16	3000	207	3/4	3/4		625	191	450	137	300	91	125	38	---	---	2
HS37000 L	47	21	500	35	1 (M)	1		---	---	---	---	---	---	---	---	100	30	refer to reelcraft.com

Models listed with an icon can ship same day upon request when the order is received by 1:00 PM Eastern Time for quantities of 10 or fewer.

- Indiana Warehouse
- California Warehouse
- Indiana & California Warehouses
- Canadian Warehouse



Interactive Reel Catalog

Visit www.reelcraft.com/catalog for complete product specifications, available parts and accessories.

Prop 65: **WARNING:** Cancer and Reproductive Harm www.P65Warnings.ca.gov.



4625 OLPSW5

Optional 360° Swivel S600248

Spray Valve S600080



A5835 OLBSW23

Made in USA

Spring Retractable Pre-Rinse Reels - 3/8" I.D.

Engineered for use in environments such as restaurants, institutions, and home and garden applications. Reelcraft's pre-rinse reels include a standard lever-operated spray valve. Available in stainless or powder-coat finish. Rated for hot water up to 180 °F (82 °C).

Hot water washdown and food prep

Commercial use, restaurants, schools, home/garden and more

Spring Retractable Potable (Drinking) Water Reel - 1/2" I.D.

Designed for potable water systems, the A5835 OLBSW23 is suitable for use as a drinking water system component though does not include the NSF/ANSI 61 Certification. Fluid path is stainless steel and CPVC material.

Drinking Water

Boats, RVs, buses and much more

Pre-Rinse Reel Features

- Lever-operated spray valve is included
- Optional 360° rotating swivel (600248) offers 20° of angular motion
- Push-Lok®, field replaceable, hose-end fittings
- Reels can be mounted on the wall, ceiling, or under a counter, making water conveniently available

Potable Water Reel Features

- Stainless steel, full flow shaft and PVC swivel
- Convenient fast hook-up and disconnect
- Drain and standard female garden hose outlet fitting are standard
- Maximum operating temperature 73 °F (23 °C)

Model with Hose	Shipping Weight		Hose I.D.		Hose O.D.		Hose Length		Pressure		NPT(F) Reel Inlet	Size Index #
	lbs	kg	in	mm	in	mm	ft	m	psi	bar	in	
Pre-Rinse Hose Reels Maximum temperature 180 °F (82 °C)												
4625 OLPSW5	22	10	3/8	10	.640	16	25	8	125	9	3/8	1
5635 OLPSW5	27	12	3/8	10	.640	16	35	11	125	9	3/8	2
5635 ELPSW5	37	17	3/8	10	.640	16	35	11	125	9	3/8	3
Pre-Rinse Stainless Steel Hose Reels Maximum temperature 180 °F (82 °C)												
5635 OLSSW5	28	13	3/8	10	.640	16	35	11	125	9	3/8	2
5635 ELSSW5	38	17	3/8	10	.640	16	35	11	125	9	3/8	3
Potable (Drinking) Water Hose Reels Garden hose fitting 3/4" N/H threads (F)												
A5835 OLBSW23*	28	13	1/2	13	.781	20	35	11	150	10	1/2 male	2

Pressure rating for reel without spray valve is 250 psi (17 bar). *Maximum operating temperature is 73 °F (23 °C). Reference page 6 for guide arm positions.

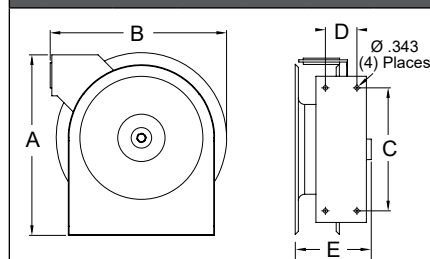
Prop 65: **WARNING:**
Cancer and Reproductive Harm
www.P65Warnings.ca.gov.



Interactive Reel Catalog

Visit www.reelcraft.com/catalog for complete product specifications, available parts and accessories.

Dimensions - Size Index



	1		2		3	
	in	mm	in	mm	in	mm
A	12 ⁷ / ₈	327	14 ³ / ₈	365	15	381
B	12 ⁵ / ₈	321	14 ¹ / ₄	362	16 ¹ / ₄	413
C	8	203	9 ³ / ₄	248	9 ³ / ₄	248
D	2 ¹ / ₂	64	2 ¹ / ₂	64	2 ¹ / ₂	64
E	5 ⁵ / ₈	143	6 ¹ / ₈	156	7	178

Models listed with an icon can ship same day upon request when the order is received by 1:00 PM Eastern Time for quantities of 10 or fewer.

Indiana Warehouse

California Warehouse

Indiana & California Warehouses

Canadian Warehouse

Spring Retractable Composite Reels Air/Water/Chemical Delivery/Welding

1/4", 3/8", 1/2", 5/8" I.D.

Series S reels are economical, lighter weight, easy to handle and meet the demands of a medium-duty industrial grade reel for continuous operation. Made of corrosion-proof, tough polypropylene, extensive tests have shown it to be highly resistant to the vast majority of acids, alkalis and UV rays. The design protects the hose and allows easy cleaning of both hose and reel. Wall, ceiling or floor mount.

A unique combination of composites and metals

The tough composite polypropylene outer case houses solid brass swivel and fluid path, a steel main shaft and high quality spring steel motor.

Corrosion-resistant, durable

The tough composite polypropylene outer case is UV stabilized and resistant to most acids and alkalis with excellent impact resistance.

Positive latching system

The design of the latching system ensures positive latching in any mounting position.

Unique mounting

The bracket supplied with the reel allows mounting in any position.

Lighter weight

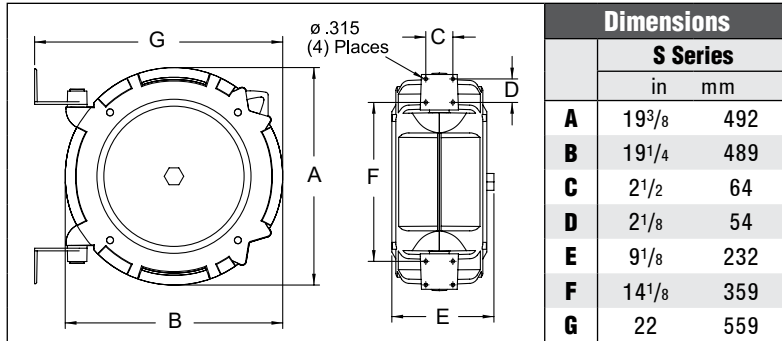
The Series S offers distinct weight advantages due to the composite case construction.



SGA3650 OLP



SHA3850 OLP



Applications

- Combination air/water
- Water service
- Hot water wash
- Chemical delivery
- Oxygen acetylene

Model with Hose	Shipping Weight		Hose I.D.		Hose O.D.		Hose Length		**Max Pressure		NPT(M) Hose Outlet	NPT(F) Reel Inlet
	lbs	kg	in	mm	in	mm	ft	m	psi	bar	in	in
Air* & Water* Hose Reels Working temperature 150 °F (65 °C)												
SGA3650 OLP	21	10	3/8	10	.621	16	50	15	240	17	3/8	3/8
SGA3665 OLP	25	11	3/8	10	.621	16	65	20	240	17	3/8	3/8
SGA3850 OLP	23	10	1/2	13	.781	20	50	15	240	17	1/2	1/2
Water Hose Reel Garden-style hose end. Working temperature 150 °F (65 °C)												
SWA3850 OLP	23	10	5/8	16	.750	19	50	15	100	7	3/4 NH	1/2
Hot Water Wash Reel Working temperature 185 °F (85 °C). **Maximum working pressure at 86 °F (30 °C)												
SHA3850 OLP	22	10	1/2	13	.781	20	50	15	240	17	1/2	1/2
Chemical Delivery Hose Reel Working temperature 140 °F (60 °C)												
SCA3650 OLP	19	9	3/8	10	.621	16	50	15	240	17	3/8	3/8
SCA3850 OLP	22	10	1/2	13	.781	20	50	15	240	17	1/2	1/2
Oxygen/Acetylene Hose Reel Working temperature 150 °F (65 °C)												
STW3450 OLP	27	12	1/4	6	.530	13	50	15	300	21	9/16" 18(F) LH-RH	9/16" 18(F) LH-RH

STW3450 OLP E dimension = 11.25" / 286 mm. *Air hose can be used for water on these models.

Models listed with an icon can ship same day upon request when the order is received by 1:00 PM Eastern Time for quantities of 10 or fewer.

Indiana Warehouse Indiana & California Warehouses California Warehouse Canadian Warehouse



Interactive Reel Catalog

Visit us at www.reelcraft.com/catalog for complete product specifications, available parts and accessories.

Prop 65: **WARNING:** Cancer and Reproductive Harm www.P65Warnings.ca.gov.



PWD76075 OHP



CA38106 M

Made in USA

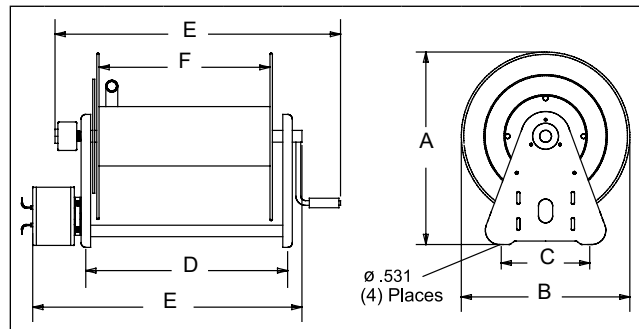
Spring Retractable, Hand Crank, Motor Driven

Air/Water - 1/4", 3/8", 1/2" I.D.

Compact design and quality steel construction are incorporated into Reelcraft's full line of pressure wash reels, rated up to 5000 psi. Series PW, H18006 and 30000 reels are able to carry 50 to 425 feet of tangle-free hose and are complete with a high pressure water swivel for maximum product delivery. The high pressure water swivel is designed to handle a broad range of pressures, temperatures and chemicals; perfect for agricultural/marine, equipment cleaning and pressure washing applications.

Applications

- Agriculture
- Marine
- Equipment cleaning
- Pressure washing



Dimensions - Series H & 30000										
	1		2		3		4		5	
	in	mm	in	mm	in	mm	in	mm	in	mm
A	20 ¹ / ₈	413	20 ¹ / ₄	514	20 ¹ / ₄	514	20 ¹ / ₄	514	20 ¹ / ₄	514
B	17 ³ / ₄	425	17 ³ / ₄	425	17 ³ / ₄	425	17 ³ / ₄	425	17 ³ / ₄	425
C	10	254	9	229	9	229	9	229	9	229
D	6 ³ / ₈	162	9 ³ / ₄	248	15 ³ / ₄	400	9 ³ / ₄	248	15 ³ / ₄	400
E	13 ³ / ₄	349	19 ³ / ₄	502	25 ³ / ₄	654	17 ⁷ / ₈	454	23 ⁷ / ₈	606
F	5	127	6	152	12	305	6	152	12	305

"B" is overall length.

Hose I.D.	in mm		in mm		in mm		Shipping Weight	Size Index #	
	in	mm	in	mm	in	mm			
Hose I.D.	1/4	6	3/8	10	1/2	13			
Hose O.D.	.530	13	.730	19	.850	22			
Model without hose & bumper	Hose Length						lbs	kg	Size Index #
	ft		m		ft				
Hand Crank Pressure 5000 psi / 345 bar									
H18006 M	150	46	100	30	---	---	31	14	1
CA38106 M	200	61	140	43	100	30	41	19	2
CA38112 M	425	130	300	91	200	61	46	21	3
Electric Motor Driven Pressure 5000 psi / 345 bar									
EA38106 M12D	200	61	140	43	100	30	63	29	4
EA38112 M12D	425	130	300	91	200	61	71	32	5

Max temperature 212 °F (100 °C). PSI rating based upon 2.4 to 1 safety factor.

Model with Hose	Shipping Weight		Hose I.D.	Hose O.D.	Hose Length	Pressure	NPT(M) Hose Outlet	NPT(F) Reel Inlet	Model without hose & bumper	Shipping Weight		Pressure	Size Index Page	Size Index #					
	lbs	kg								lbs	kg				psi	bar			
Spring Driven Reels Maximum temperature 210 °F (99 °C)																			
PW7650 OHP	60	27	3/8	10	.730	19	50	15	4800	331	1/4	1/2	PW7600 OHP	43	20	5000	345	11	---
PWD76075 OHP	90	41	3/8	10	.730	19	75	23	4800	331	1/4	1/2	PWD76005 OHP	60	27	5000	345	12	2
PW81100 OHP	119	54	3/8	10	.730	19	100	30	4800	331	3/8	1/2	PW81000 OHP	86	39	5000	345	14	1

PSI rating based upon 2.4 to 1 safety factor. Reference page 6 for guide arm positions.

Prop 65: **WARNING:**
Cancer and Reproductive Harm
www.P65Warnings.ca.gov.



Interactive Reel Catalog

Visit www.reelcraft.com/catalog for complete product specifications, available parts and accessories.

Models listed with an icon can ship same day upon request when the order is received by 1:00 PM Eastern Time for quantities of 10 or fewer.

Indiana Warehouse

California Warehouse

Indiana & California Warehouses

Canadian Warehouse

Light Industrial Hand Crank Hose Reels

Reelcraft's Series C hose reels are designed for lighter-duty applications that require longer lengths of hose. The Series C incorporates a balanced brass swivel, brass inlet, lighter weight components and forward-thinking design. Reels in this family benefit from a tough, corrosion-resistant powder coat paint. All reels feature a drag break to prevent de-spooling when reel is not in use.

Series CU Air/Water - 3/8", 1/2" I.D.

Series CU features our most rigid base design in this series and supports the reel on either side.

Series CT Air/Water/Pressure Wash - 3/8", 1/2" I.D.

The Series CT frame features a tubular design. The inlet is fed through the center of the tube frame, protecting the inlet hose and creating a cleaner look over all.

Series CM Pressure Wash - 3/8" I.D.

Series CM reels offer the greatest amount of flexibility in this series by featuring a modular mounting platform. Reelcraft can configure custom mounts upon request or the customer may choose to supply their own.



CU6050LN

CT6100HN

Dimensions - Series CT						
	5		6		7	
	in	mm	in	mm	in	mm
A	15 ⁵ / ₈	397	15 ⁵ / ₈	397	19 ⁷ / ₈	505
B	13 ¹ / ₄	337	13 ¹ / ₄	337	16	406
C	3 ¹ / ₂	89	3 ¹ / ₂	89	5	127
D	4 ¹ / ₄	108	4 ¹ / ₄	108	6	152
E	15 ¹ / ₂	394	19 ¹ / ₂	495	19 ⁷ / ₈	505
F	6	152	6	152	6	152

Dimensions - Series CU								
	1		2		3		4	
	in	mm	in	mm	in	mm	in	mm
A	11 ¹ / ₂	292	11 ¹ / ₂	292	14 ³ / ₈	365	14 ³ / ₈	365
B	10 ¹ / ₂	267	10 ¹ / ₂	267	13 ¹ / ₄	337	13 ¹ / ₄	337
C	2	51	2	51	2 ³ / ₈	60	2 ³ / ₈	60
D	6 ⁵ / ₈	168	11 ¹ / ₈	283	6 ¹ / ₄	159	10 ¹ / ₄	260
E	16 ³ / ₄	425	21 ¹ / ₈	537	16 ³ / ₄	425	20 ⁷ / ₈	530
F	4	102	4	102	6	152	6	152
G	9 ³ / ₈	238	13 ⁷ / ₈	352	9 ¹ / ₄	235	13 ¹ / ₄	337
H	3 ³ / ₈	86	3 ³ / ₈	86	4	102	4	102



CM6050HN

Model w/o hose	Shipping Weight		Hose I.D.		Hose O.D.		Hose Length		Pressure	NPT(F) Reel Outlet	NPT(F) Reel Inlet	Size Index #	
	lbs	kg	in	mm	in	mm	ft	m					
Low Pressure Air/Water Reels Maximum temperature 150 °F (65 °C)													
CU6050LN	12	5	3/8	10	.600	15	50	15	300	21	3/8	3/8	1
CU6100LN	16	7	3/8	10	.600	15	100	30	300	21	3/8	3/8	2
CU8050LN	13	6	1/2	13	.750	19	50	15	300	21	1/2	1/2	3
CU8100LN	20	9	1/2	13	.750	19	100	30	300	21	1/2	1/2	4
CT6050LN	13	6	3/8	10	.600	15	50	15	300	21	1/2	1/2	5
CT6100LN	17	7.5	3/8	10	.600	15	100	30	300	21	1/2	1/2	6
CT8050LN	13	6	1/2	13	.750	19	50	15	300	21	1/2	1/2	5
CT8100LN	17	7.5	1/2	13	.750	19	100	30	300	21	1/2	1/2	6
High Pressure Wash Reels Maximum temperature 210 °F (99 °C)													
CT6050HN	13	6	3/8	10	.730	19	50	15	5000	345	3/8	1/2	5
CT6100HN	17	7.5	3/8	10	.730	19	100	30	5000	345	3/8	1/2	6
CTJ6200HN	28	13	3/8	10	.730	19	200	61	5000	345	3/8	1/2	7
CM6050HN	14	6.5	3/8	10	.730	19	50	15	5000	345	3/8	1/2 (M)	8
CM6100HN	18	8	3/8	10	.730	19	100	30	5000	345	3/8	1/2 (M)	9

Reels are supplied without hose.

Dimensions - Series CM				
	8		9	
	in	mm	in	mm
B	14 ³ / ₈	365	18 ³ / ₈	467
C	2 ¹ / ₂	64	2 ¹ / ₂	64
D	3 ¹ / ₂	89	3 ¹ / ₂	89
E	16 ³ / ₈	416	20 ¹ / ₂	521

Prop 65: ⚠ WARNING:
Cancer and Reproductive Harm
www.P65Warnings.ca.gov.

Models listed with an icon can ship same day upon request when the order is received by 1:00 PM Eastern Time for quantities of 10 or fewer.

Indiana Warehouse
 Indiana & California Warehouses
 California Warehouse
 Canadian Warehouse

Customer Service: 1.855.634.9109
All Other Calls: 1.800.444.3134

REELCRAFT

Hand Crank / Motor Driven Reels | Series H / 30000

Medium Duty Hand Crank Reels





Series H - Air/Water/Oil/Grease - 3/8", 1/2", 3/4" I.D.

Series H is an economical reel designed for medium duty applications requiring long lengths of hose. It is equally suited for plant or field use such as turf care, pest control, steam cleaning and more. Shipped completely assembled, ready to install.

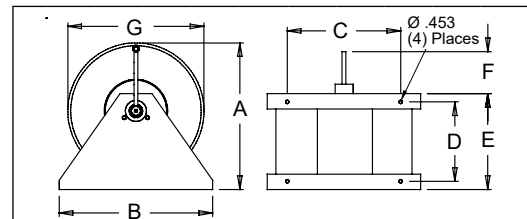
Made in USA 

H16000



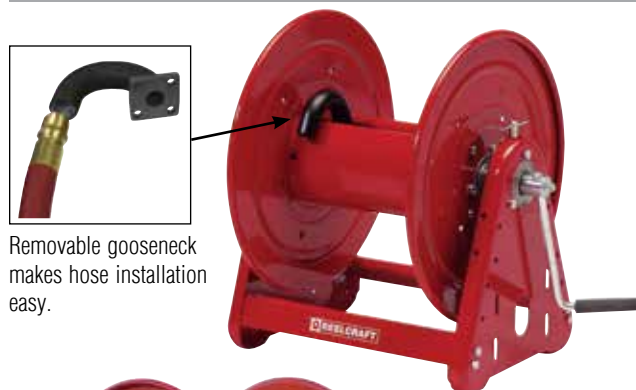
Model without hose	Shipping Weight		Hose I.D.		Hose O.D.		Hose Length		Pressure		NPT(F) Reel Outlet	NPT(F) Reel Inlet	Size Index
	lbs	kg	in	mm	in	mm	ft	m	psi	bar	in	in	#
Low Pressure Air/Water Hose Reels Max temperature 150 °F (65 °C)													
H16000 	32	15	3/8	10	.600	15	300	91	500	35	1/4	3/8	1
H26000	34	15	3/8	10	.600	15	450	137	500	35	1/4	3/8	2
H18005	33	15	1/2	13	.750	19	175	53	1000	69	1/2	1/2	5
H18000 	34	15	1/2	13	.750	19	200	61	1000	69	1/2	1/2	1
H28005	34	15	1/2	13	.750	19	300	91	1000	69	1/2	1/2	4
H28000	37	17	1/2	13	.750	19	300	91	1000	69	1/2	1/2	2
H19000 	33	15	3/4	19	1.075	27	105	32	1000	69	3/4	3/4	1
H29005	36	16	3/4	19	1.075	27	100	30	1000	69	3/4	3/4	3
H29000	41	19	3/4	19	1.075	27	150	46	1000	69	3/4	3/4	2
Medium Pressure Oil Hose Reels Max temperature 210 °F (99 °C)													
H16000 M	32	15	3/8	10	.710	18	300	91	3000	207	3/8	1/2	1
H18000 M 	34	15	1/2	13	.850	22	200	61	3000	207	1/2	1/2	1
H19000 M	38	17	3/4	19	1.188	30	80	24	3000	207	3/4	3/4	1
H29000 M	35	16	3/4	19	1.188	30	150	46	3000	207	3/4	3/4	2
High Pressure Grease Hose Reels Max temperature 210 °F (99 °C)													
H16000 H	35	16	3/8	10	.730	19	250	76	5000	345	3/8	3/8	1

Hose assemblies can be quoted upon request. **CAUTION:** To prevent drum damage fully extend and pressurize hose and rewind on the reel. Stainless models available, see page 19.



Dimensions - Size Index										
	1		2		3		4		5	
	in	mm	in	mm	in	mm	in	mm	in	mm
A	19	483	19	483	18 ⁷ / ₈	479	20 ¹ / ₈	512	20 ¹ / ₈	512
B	20	508	20	508	14	356	14	356	14	356
C	15	381	15	381	10	254	10	254	10	254
D	10	254	16	407	16	407	16	407	10	254
E	12 ¹ / ₂	318	18 ¹ / ₂	470	18 ¹ / ₂	470	18 ¹ / ₂	470	12 ¹ / ₂	318
F	5 ³ / ₄	146	5 ³ / ₄	146	5 ³ / ₄	146	5 ³ / ₄	146	5 ³ / ₄	146
G	17 ³ / ₄	451	17 ³ / ₄	451	15 ³ / ₁₆	386	17 ³ / ₄	451	17 ³ / ₄	451

Drum diameter 8".



Removable gooseneck makes hose installation easy.

Hand Crank
CA32112 L

Made in USA 

Heavy Duty Hand Crank and Motor Driven Reels

Series 30000 - Air/Water/Oil - 1/4", 1/2", 3/4", 1" I.D.

Reelcraft's Series 30000 reels are designed for rugged, heavy duty applications requiring long lengths of hose and large storage capacity. All-bolted unitized construction, full flow swivel and heavy gauge steel frame, spool and drum ensure longest service life. Series 30000's vibration-proof, self-locking fasteners are ideal for industrial or field use such as turf care or pest control.

- ✓ Adjustable spool rotation drag that eliminates hose backlash
- ✓ Motor mounting at either end of reel
- ✓ Nickel-plated swivel with four O-ring options: AFLAS® (standard), Buna, Viton®, FKM or -EPR seals
- ✓ Optional lock pin to prevent spool rotation when the reel is not in use, S600874



Motor Driven
EA33112 L12D

Prop 65:  **WARNING:** Cancer and Reproductive Harm www.P65Warnings.ca.gov.

Models listed with an icon can ship same day upon request when the order is received by 1:00 PM Eastern Time for quantities of 10 or fewer.

 Indiana Warehouse

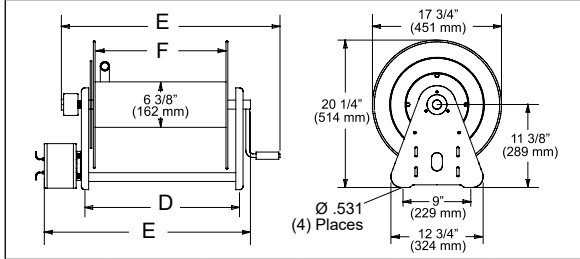
 California Warehouse

 Indiana & California Warehouses

 Canadian Warehouse

Long Hose Lengths | Series 30000

Hose I.D.	1/4" (6.4 mm)	3/8" (9.5 mm)	1/2" (12.7 mm)	3/4" (19.1 mm)	1" (25.4 mm)
Hose O.D.	.530" (13 mm)	.710" (18 mm)	.850" (22 mm)	1.188" (30 mm)	1.375" (35.0 mm)
"F" Width	Hose Capacity				
6" (152 mm)	200' (61 m)	140' (43 m)	100' (30 m)	50' (15 m)	N/A
12" (305 mm)	425' (130 m)	300' (91 m)	200' (61 m)	100' (30 m)	50' (15 m)
18" (457 mm)	625' (191 m)	450' (137 m)	325' (99 m)	175' (54 m)	100' (31 m)
22" (559 mm)	780' (238 m)	550' (168 m)	400' (122 m)	225' (69 m)	125' (38 m)
27" (686 mm)	1000' (305 m)	700' (213 m)	500' (152 m)	275' (84 m)	150' (46 m)



E **A** **3** **2** **1** **06** **L** **12D** **X**

Drive Type
A - Air motor
B - Bevel crank
C - Hand crank
E - Electric motor
H - Hydraulic motor

Width of Spool
See "F" Dimension
06 - 6" (152 mm)
12 - 12" (305 mm)
18 - 18" (457 mm)
22 - 22" (559 mm)
28 - 27" (686 mm)

Motor Type
Blank
X - Explosion proof electric motor

Fluid Path Type
A - Gooseneck
B - No gooseneck (1" only)
H - Heavy duty gooseneck (1" only)

Swivel Size
0 - No swivel
2 - 1/2" (13 mm) I.D.
3 - 3/4" (19 mm) I.D.
4 - 1/2" (13 mm) Dual
5 - 3/4" (19 mm) Dual
6 - 1/4" (6 mm) Dual
7 - 1" (25 mm) I.D.
8 - 1/2" (13 mm) I.D. pressure wash

Power Source
Blank
12D - 12 V DC
24D - 24 V DC
10A - 115 V AC
4A - 1 1/2 HP air motor
6A - 4 HP air motor

Pressure
L - 1000 PSI (69 bar)
M - 3000 PSI (207 bar)

NOTE: This chart is for reference purposes only. Please see selection chart or consult manufacturer for additional models not listed or for any questions about option combinations.

Model without hose	Shipping Weight		Hose I.D.		Hose O.D.		Capacity		Pressure		NPT(F) Reel Outlet		NPT(F) Reel Inlet		D		E		F		
	lbs	kg	in	mm	in	mm	ft	m	psi	bar	in	in	in	mm	in	mm	in	mm	in	mm	
Hand Crank Hose Reels Maximum temperature 210 °F (99 °C)																					
CA32106 L	40	18	1/2	13	.750	19	100	30	1000	69	1/2	1/2	9 ³ / ₄	248	19 ³ / ₄	502	6	152			
CA32112 L	46	21	1/2	13	.750	19	200	61	1000	69	1/2	1/2	15 ³ / ₄	400	25 ³ / ₄	654	12	305			
CA32118 L	51	23	1/2	13	.750	19	325	99	1000	69	1/2	1/2	21 ³ / ₄	552	31 ³ / ₄	806	18	457			
CA32122 L	65	29	1/2	13	.750	19	400	122	1000	69	1/2	1/2	25 ³ / ₄	654	35 ³ / ₄	908	22	559			
CA32128 L	69	31	1/2	13	.750	19	500	152	1000	69	1/2	1/2	30 ³ / ₄	781	40 ³ / ₄	1035	27	686			
CA32106 M	42	19	1/2	13	.850	22	100	30	3000	207	1/2	1/2	9 ³ / ₄	248	19 ³ / ₄	502	6	152			
CA32112 M	46	21	1/2	13	.850	22	200	61	3000	207	1/2	1/2	15 ³ / ₄	400	25 ³ / ₄	654	12	305			
CA32118 M	52	24	1/2	13	.850	22	325	99	3000	207	1/2	1/2	21 ³ / ₄	552	31 ³ / ₄	806	18	457			
CA33106 L	41	19	3/4	19	1.075	27	50	15	1000	69	3/4	3/4	9 ³ / ₄	248	19 ³ / ₄	502	6	152			
CA33112 L	46	21	3/4	19	1.075	27	100	30	1000	69	3/4	3/4	15 ³ / ₄	400	25 ³ / ₄	654	12	305			
CA33118 L	51	23	3/4	19	1.075	27	175	53	1000	69	3/4	3/4	21 ³ / ₄	552	31 ³ / ₄	806	18	457			
CA33112 M	47	21	3/4	19	1.188	30	100	30	3000	207	3/4	3/4	15 ³ / ₄	400	25 ³ / ₄	654	12	305			
CA33118 M	51	23	3/4	19	1.188	30	175	53	3000	207	3/4	3/4	21 ³ / ₄	552	31 ³ / ₄	806	18	457			
CH37118 L*	64	29	1	25	1.375	35	100	30	1000	69	1	1	21 ³ / ₄	552	31 ³ / ₄	806	18	457			
CH37122 L*	73	33	1	25	1.375	35	125	38	1000	69	1	1	25 ³ / ₄	654	35 ³ / ₄	908	22	559			
CH37128 L*	77	35	1	25	1.375	35	150	46	1000	69	1	1	30 ³ / ₄	781	40 ³ / ₄	1035	27	686			
Bevel Crank Hose Reels Maximum temperature 210 °F (99 °C)																					
BA36112 L	57	26	1/4	6	Twin Welding		250	76	200	14	1/4	1/4	15 ³ / ₄	400	25 ³ / ₄	654	12	305			
BA34112 M	54	24	1/2	13	Twin Hydraulic		100	30	3000	207	1/2	1/2	15 ³ / ₄	400	25 ³ / ₄	654	12	305			
Electric Motor Driven Hose Reels Maximum temperature 210 °F (99 °C)																					
EA32106 L10A	61	28	1/2	13	.750	19	100	30	1000	69	1/2	1/2	9 ³ / ₄	248	19 ⁵ / ₈	498	6	152			
EA32112 L12D	64	29	1/2	13	.750	19	200	61	1000	69	1/2	1/2	15 ³ / ₄	400	23 ⁷ / ₈	606	12	305			
EA32118 L12D	68	31	1/2	13	.750	19	325	99	1000	69	1/2	1/2	21 ³ / ₄	552	29 ⁵ / ₈	752	18	457			
EA33112 L12D	68	31	3/4	19	1.075	27	100	30	1000	69	3/4	3/4	15 ³ / ₄	400	23 ⁷ / ₈	606	12	305			
EA33118 L12D	68	31	3/4	19	1.075	27	175	53	1000	69	3/4	3/4	21 ³ / ₄	552	29 ⁵ / ₈	752	18	457			
EA33112 M12D	71	32	3/4	19	1.188	30	100	30	3000	207	3/4	3/4	15 ³ / ₄	400	23 ⁷ / ₈	606	12	305			
EA33128 M12D	91	41	3/4	19	1.188	30	275	84	3000	207	3/4	3/4	30 ³ / ₄	781	38 ⁵ / ₈	981	27	686			
EA33112 M24D	71	32	3/4	19	1.188	30	100	30	3000	207	3/4	3/4	15 ³ / ₄	400	23 ⁷ / ₈	606	12	305			
EH37118 L12D*	82	37	1	25	1.375	35	100	30	300	21	1	1	21 ³ / ₄	552	31	787	18	457			
Air Motor Driven Hose Reels Filter, regulator, lubricator required. Maximum temperature 210 °F (99 °C)																					
AA32112 L4A	62	28	1/2	13	.750	19	200	61	1000	69	1/2	1/2	15 ³ / ₄	400	23 ¹ / ₄	591	12	305			
AA33106 L4A	59	27	3/4	19	1.075	27	50	15	1000	69	3/4	3/4	9 ³ / ₄	248	17 ¹ / ₄	438	6	152			
AA33112 L6A	68	31	3/4	19	1.075	27	100	30	1000	69	3/4	3/4	15 ³ / ₄	400	23 ¹ / ₄	591	12	305			

Hose assemblies can be quoted upon request. **CAUTION:** To prevent drum damage, fully extend and pressurize hose and rewind on the reel. For metric thread connections over 1/2" add the suffix number 70 to indicate BSPT threads - example CA33112 M70. *All 1" reel models have an 8" (203 mm) diameter drum.

Many more reel models available in addition to chart. Please contact manufacturer for details.

Prop 65: ⚠ **WARNING:**
Cancer and Reproductive Harm - www.P65Warnings.ca.gov.

Hose Reel Cart and Trailer | Series 30000

Portable Hose Reel and Cart



Hose Reel and Cart Package
600968

Hose Reel and Cart Packages	
Package	Items Included
600965	12" hand crank hose reel (CA32112 L); 12" hand cart with pneumatic tires (600741-1); 10' inlet hose (600962)
600966	12" hand crank hose reel (CA32112 L); 12" hand cart with semi-pneumatic tires (600741-2); 10' inlet hose (600962)
600967	12" hand crank hose reel (CA33112 L); 12" hand cart with pneumatic tires (600741-1); 10' inlet hose (600963)
600968	18" hand crank hose reel (CB37118 L); 18" hand cart with pneumatic tires (600885-1); 10' inlet hose (S600982-10)

Additional Accessories

Battery box (battery not included): S600812
 Battery cable connector: 600814
 Chain guard: S600518
 Hose: 1" ID x 100', 1" NPT x 1" NPSH: S600982-100
 Hose: 3/4" ID x 150', 3/4" NPT x 1" NPSH: 601044-150
 Inlet hose: 1" ID x 10', 1" NPT x 1" NPSH: S600982-10
 Operating switch: S600808

Garden Fitting Conversion Kit

1/2" NPTM x 3/4" NH: 260729
 3/4" NPTM x 3/4" NH: 261702

Note: Refer to pages 24 and 25 for Series 30000 hose reel dimensions and specifications.

Made in USA



600965

	Pneumatic	600741-1	600885-1
	Semi-Pneumatic	600741-2	600885-2
	Reel Size	12"	18"
		in mm	in mm
	A	Adjustable*	
	B	23 ³ / ₄	28 ³ / ₄ 730
	C	18 ¹ / ₄ 464	18 ¹ / ₄ 464

*Handle height of cart is adjustable to 35⁵/₈", 38⁵/₈", 41¹/₂" or 44¹/₂". Eight 5/16" (8mm) diameter mounting holes.

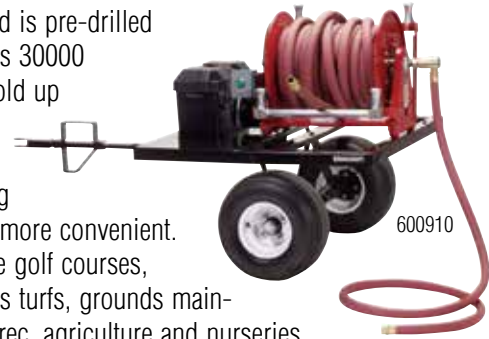
Hose Reel and Trailer

Made in USA



Reelcraft's rugged, self-contained hose reel trailer easily attaches to most off-road vehicles or carts and is pre-drilled 12" or 18" for Series 30000 hose reels. Reels hold up to 100' of 1" I.D. water hose.

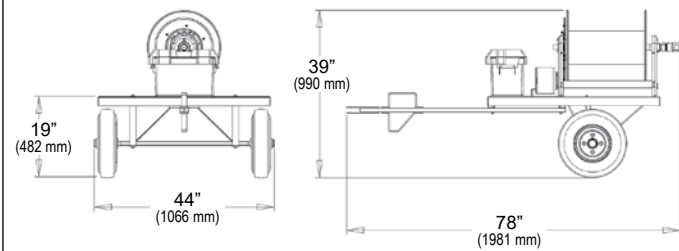
Makes spot watering easier, quicker and more convenient. Applications include golf courses, athletic fields, sports turfs, grounds maintenance, parks and rec, agriculture and nurseries.



600910

Hose Reel and Trailer Packages	
Package	Items Included
600911	Trailer (600810); Hand rewind hose reel (CB37118 L); 10' lead hose (S600982-10); Roller bracket, top wind (S602133-3)
600910	Trailer (600810); 12 V DC Motor driven hose reel (EB37118 L12D); Switch, complete (S600808); Battery box, battery not included (S600812); Chain guard (S600518); Roller bracket, top wind (S602133-3); Roller bracket, bottom wind (S602132-3); 10' lead hose with 1" I.D. (S600982-10)
600810	Trailer only - does not include hose or reel. Reels designed for trailer include motor driven EB37118 L12D and hand crank CB37118 L. Trailer weight 154 lbs / 70 kg.

Trailer Dimensions



Trailer designed for off-road use only, not for passenger transport. Maximum weight capacity 400 pounds. Maximum speed 15 miles per hour. Trailer, reel and accessories sold separately.



S600812

Additional Series 30000 Accessories

S600812 Battery Box

Battery not included. Supplied with mounting hardware. Inside dimensions = 9" height x 14" width x 7¹/₂" depth

600814 Battery Cable Connector

Battery not included.

See page 50 for switches, motors and chain guards; refer to reelcraft.com for replacement hoses.

600814

Prop 65: ⚠️ WARNING:

Cancer and Reproductive Harm - www.P65Warnings.ca.gov.

Reelcraft's Reel Configurator

Large Frame Reels

1/2" to 3" I.D.; hose lengths to 610' and more

Reelcraft's new reel configurator quickly and accurately quotes large frame reels. Simply answer a few questions about your reel needs and the configurator can instantly quote your reel. It will also create a 3D model from which a sales drawing and bill of material can be generated that can be sent out for your review. The new configurator allows for shorter lead times for large frame reels and increases the accuracy of the available combinations of reel options.

Improved response time

The configurator has greatly improved our response time to the customer. The traditional 2-3 day quote time has been reduced to only 20 minutes.

More accurate quotes

The configurator's rules based system eliminates incompatibilities and increases the accuracy of the available combinations of reel options. It will also create a 3D model from which a sales drawing and bill of material can be generated that can be sent out for your review.

Reduced product lead time

The improved response time and quote procedure have also decreased the product lead time. The standard 4-6 week product lead time can be reduced to a mere 2-3 weeks with most configured products.

Current capacity

The configurator currently covers 85% of the standard large frame reels sold and manufactured by Reelcraft with hose I.D.'s ranging from 1/2" to 3". More sizes will become available as released.

For an accurate quote, please advise:

1. Product to be handled such as air, oil, water, etc.
2. Maximum operating pressure in PSI.
3. Hose inside diameter (I.D.) and length.
4. Desired drive type such as hand crank, electric motor, air motor, etc.
5. Any special or additional accessories needed.

NOTE: Not all options are available in every combination. All large frame reels are supplied without hose. Reelcraft's configured reels and custom reels are built to order and not returnable.

Contact Reelcraft to configure a reel for your application!

Custom Capabilities

Don't see what you need? Reelcraft's engineered products group custom builds to your specifications.

- Very few size and weight constraints
- Special finishes / paint options
- Various drive types
- Wide range of pressures



Series 1200 - 1/2", 3/4", 1" I.D.



Series 2400 - 1/2", 3/4", 1" I.D.



Series 3900 - 1", 1 1/4", 1 1/2" I.D.

Series 3700 / 5900 - 2", 3" I.D.



Series 6000 - 1 1/2", 2", 2 1/2", 3" I.D.

Large Frame Reels | Heavy Duty Solutions

Reelcraft's Engineered Product Solutions

Full Flow Design

The goose neck is contoured to match the drum diameter, which allows smooth hose wrapping and unimpeded flow.

Unitized Swivel

Less leak points, shorter profile and improved flow.

Long Service Life

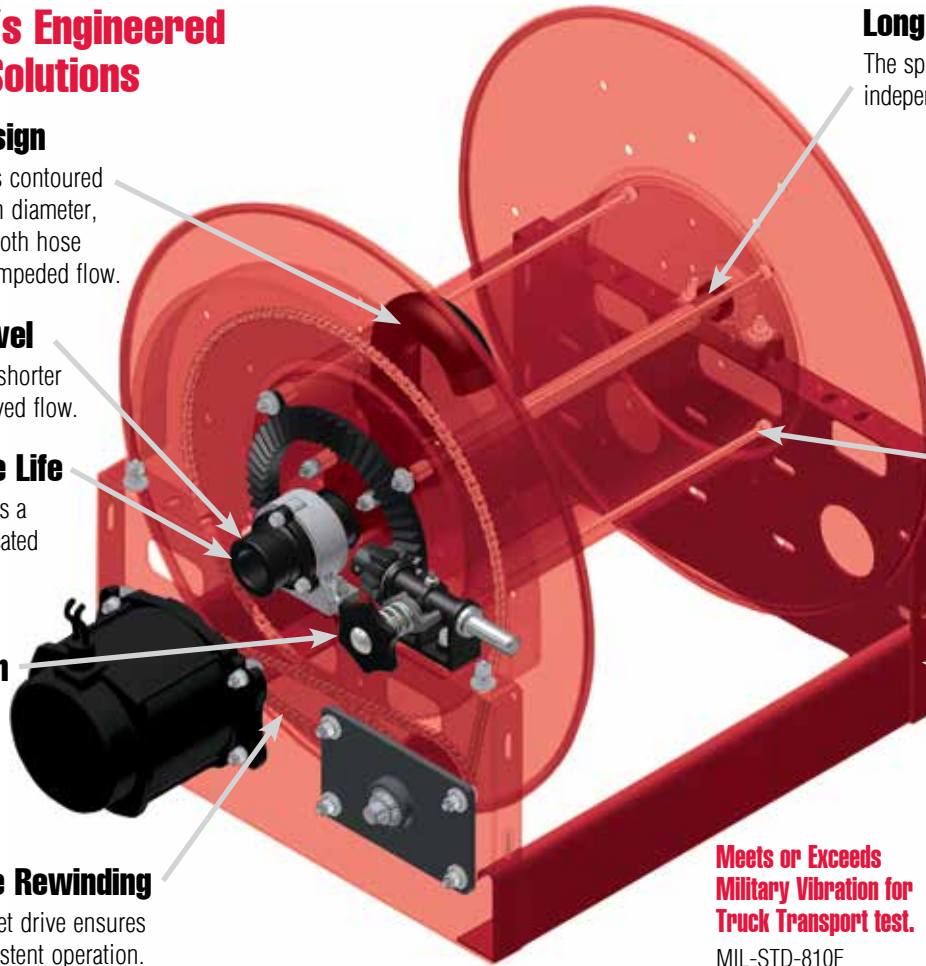
Swivel incorporates a permanently lubricated ball bearing.

Adjustable Hose Tension

The brake can be adjusted to suit the application requirements.

Trouble-Free Rewinding

Chain and sprocket drive ensures smooth and consistent operation.



Long Service Life

The spool axle is supported by independent self-aligning bearing.

Free Rotation While Pressurized

The swing joint and spindle allows reel to freely rotate while fluid is pressurized.

Precise Rigid Construction

Proprietary unitized tie rods are zinc plated offering greater strength and resistance to vibration and corrosion.

Ultimate Corrosion Resistance

Individually powder coated components insure maximum coverage and resistance to corrosion. Stainless steel fasteners are standard.

Meets or Exceeds Military Vibration for Truck Transport test.

MIL-STD-810F
500,000 mile equivalent

Available Options and Accessories

Drive Options	Head Diameter	Drum Length	Thread Size	Inlet/Outlet Thread	Thread Style	Fluid Path Material	Pressure (PSI)	Inlet Style	Fluid Path Location/Direction	Colors
E 12 V DC	19"	6"-36" in 2" increments	1/2"	Female In/ Male Out	NPT	Aluminum	0-600	Straight	Left Hand Top Wind	Red
NJ 24 V DC	21"		3/4"		BSPP	Ductile Iron	600-1000	90°	Left Hand Bottom Wind	Black
EP *12 V DC Exp	23"		1"	Female In/Out	BSPT	Stainless	1000-3000	1" LPG**	Right Hand Top Wind	White
EA *115 V AC Exp	25"		1 1/4"	Male In/ Female Out			3001-5000	1 1/2" LPG**	Right Hand Bottom Wind	Gray
EX *230 V AC Exp	28"		1 1/2"				5001-6000			Silver
EJ *24 V DC Exp	31"		2"	Male In/Out				**LPG = Liquid propane gas		Gray Primer
HD Hydraulic	36"		2 1/2"	Grooved fitting In/Male Out						Yellow
AF 1 1/2 HP Air	39"		3"							Green
AR 4 HP Air	46"		4"	Grooved fitting In/ Female Out						Hunter Green
BC Bevel Crank										Forrest Green
HC Hand Crank										High Gloss Black
S Storage										Burgundy
CR Cable Reel										Orange
										Bronze

Material Options/ Drive Size
1/2" Pitch Chain
5/8" Pitch Chain
3/4" Pitch Chain
Gear Driven
Aluminum Frame/Spool
304 S.S. Frame/Spool
316 S.S. Frame/Spool
Sewer Cleaning Reel
Twin Hose

NOTE: Not all options available in every combination. Actual assigned part numbers will vary. Please contact Reelcraft for price and availability.

*Exp = Explosion proof motor

See page 49 for color options.

Heavy Duty Large Frame Reels Series 1200

Made in USA 

1" fluid path for 1/2" through 1" I.D. hose

Rewind: Direct crank rewind or chain and sprocket drive powered by A.C. or D.C. electric motor, compressed air motor, or hydraulic motor. Crank is not supplied on power rewind models. A pin lock assembly is optional on manual rewind reels. A 3/8" pitch chain is standard.

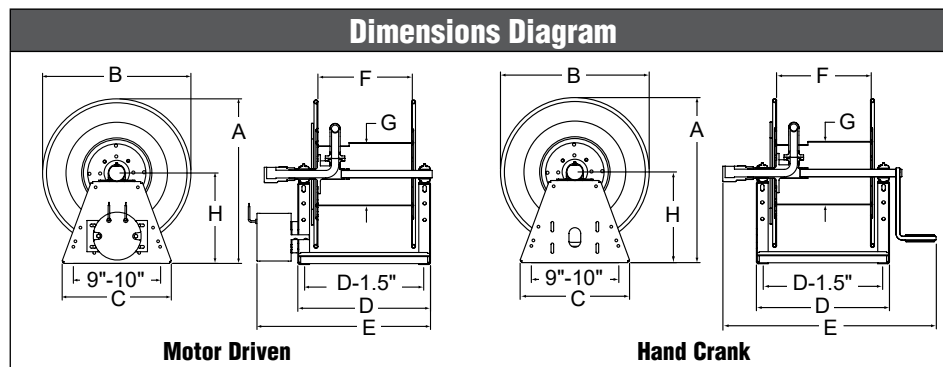
Inlet: 1/2" up to 1" female/male NPT 90° swivel joint. Straight swivel joint may be specified at extra cost.

Gooseneck: 1/2", 3/4", 1" female NPT. Other sizes and/or threads, including garden hose thread, can be furnished when specified.

The standard color for this series is red. See page 49 for color options.



Shown with optional three-way roller bracket.



Fluid Path Material: Ductile iron with E-Coat standard; carbon steel and stainless steel available.

Seal Material: Buna-N standard; AFLAS®, Viton®, FKM, EPR, and low-temperature Buna-N available. Standard temperatures range from -20 °F (-29 °C) to 225 °F (107 °C). Standard pressures to 3000 psi.

Popular pre-configured reels listed

Don't see what you need? See page 27 to configure a reel for your needs. Available options and accessories listed on page 28.

Hose I.D.	in mm	1/2 13	3/4 19	1 25	Specifications - Hose Capacity and Reel Dimensions											Retraction Time* min:sec
					Hose Length					Weight						
Hose O.D.	in mm	0.875 22	1.28 33	1.563 40	HC = Hand Crank; E = Non-Explosion Proof 12 V DC Motor; EP = Explosion Proof 12 V DC Motor	A	B	C	D	E	F	G	H			
Model without Hose	Hose Length				Weight		A	B	C	D	E	F	G	H	Spool RPM	
	ft	in	lb	in	in	in	in	in	in	in	in	in	in	in	in	in
HC1200-19-6-10FF	ft	120	40	35	lb	41	in	21.1	19	14	11	24.5	6	8	11.6	N/A
	m	37	12	11	kg	19	mm	536	483	356	279	622	152	203	295	N/A
HC1200-19-12-10FF	ft	250	95	80	lb	43	in	21.1	19	14	17	30.5	12	8	11.6	N/A
	m	76	29	24	kg	20	mm	536	483	356	432	775	305	203	295	N/A
EP1200-19-18-10FF	ft	395	145	125	lb	61	in	21.1	19	14	23	31.3	18	8	11.6	44.64
	m	120	44	38	kg	28	mm	536	483	356	584	795	457	203	295	44.64
EP1200-19-22-10FF	ft	395	155	80	lb	62	in	21.1	19	14	27	35.3	22	11.25	11.6	44.64
	m	120	47	24	kg	28	mm	536	483	356	686	897	559	286	295	44.64
E1200-23-6-10FF	ft	145	70	40	lb	66	in	25.1	23	15.4	11	17.6	6	11.25	13.6	44.64
	m	44	21	12	kg	30	mm	638	584	391	279	447	152	286	345	44.64
EP1200-23-12-10FF	ft	320	160	100	lb	68	in	25.1	23	15.4	17	25.3	12	11.25	13.6	44.64
	m	98	49	30	kg	31	mm	638	584	391	432	643	305	286	345	44.64
EP1200-21-18-10FF	ft	400	185	105	lb	120	in	24.1	21	15.4	23	31.3	18	11.25	13.6	44.64
	m	122	56	32	kg	54	mm	612	533	391	584	795	457	286	345	44.64
EP1200-21-22-10FF	ft	500	225	135	lb	125	in	24.1	21	15.4	27	35.3	22	11.25	13.6	44.64
	m	152	69	41	kg	57	mm	612	533	391	686	897	559	286	345	44.64

Built to order, not returnable.

*Hose retraction times, based on largest size hose listed, are approximate and will vary depending on how hose piles on drum. Speed control options also available.

Prop 65:  **WARNING:**
Cancer and Reproductive Harm
www.P65Warnings.ca.gov

Large Frame Hose Reels | Series 2400

Heavy Duty Large Frame Reels Series 2400

Made in USA 

1/2", 3/4" or 1" fluid path for 1/2" through 1" I.D. hose

Rewind: Gear-drive rewind or chain and sprocket drive powered by A.C. or D.C. electric motor, compressed air motor or hydraulic motor.

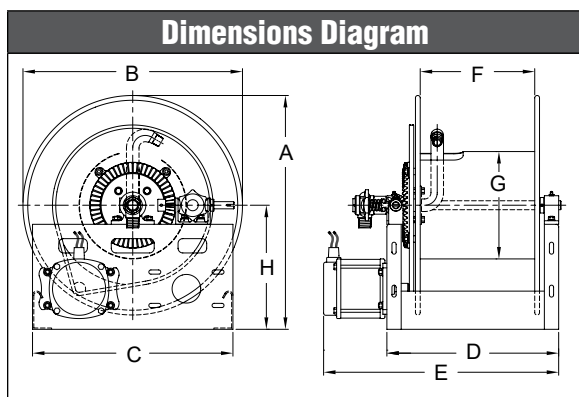
Inlet: 1/2" up to 1" female/male NPT 90° swivel joint. Straight swivel joint may be specified at extra cost.

Gooseneck: 1/2" up to 1" female/male NPT. Other sizes and/or threads, including male NST and male garden hose thread, can be furnished when specified.



1/2" pitch chain standard

Shown with optional bevel crank.



Fluid Path Material: Ductile iron with E-Coat standard; carbon steel and stainless steel available.

Seal Material: Buna-N standard; AFLAS®, Viton®, FKM, EPR, and low-temperature Buna-N available. Standard temperatures range from -20 °F (-29 °C) to 225 °F (107 °C). Standard pressures to 3000 psi.

The standard color for this series is red. See page 49 for color options.

Popular pre-configured reels listed

Don't see what you need? See page 27 to configure a reel for your needs. Available options and accessories listed on page 28.

Hose I.D.	in mm	1/2 13	3/4 19	1 25	Specifications - Hose Capacity and Reel Dimensions											Retraction Time* min:sec	
					HC = Hand Crank; EP = Explosion Proof 12 V DC Motor												
Hose O.D.	in mm	0.875 22	1.28 33	1.563 40	Weight		A	B	C	D	E	F	G	H	Spool RPM		
Model without Hose		Hose Length															
HC2400-19-16-10FF	ft	285	110	60	lb	70	in	22.5	21	21	22	34	16	11.25	13	N/A	N/A
	m	87	34	18	kg	32	mm	572	533	533	559	864	406	286	330		
HC2400-23-14-10FF	ft	365	175	100	lb	74	in	24.5	23	21	20	32	14	11.25	13	N/A	N/A
	m	111	53	30	kg	34	mm	622	584	533	508	813	356	286	330		
EP2405-23-18-10FF	ft	490	250	155	lb	78	in	24.5	23	21	24	30.5	18	11.25	13	13.39	3:15
	m	149	76	47	kg	35	mm	622	584	533	610	775	457	286	330		
EP2405-23-20-10FF	ft	540	265	170	lb	80	in	24.5	23	21	26	32.5	20	11.25	13	13.39	3:30
	m	165	81	52	kg	36	mm	622	584	533	660	826	508	286	330		
EP2405-23-24-10FF	ft	660	320	210	lb	84	in	24.5	23	21	30	36.5	24	11.25	13	13.39	4:30
	m	201	98	64	kg	38	mm	622	584	533	762	927	610	286	330		
EP2405-25-8-10FF	ft	265	135	95	lb	72	in	26.5	25	21	14	20.5	8	11.25	14	40.18	0:45
	m	81	41	29	kg	33	mm	673	635	533	356	521	203	286	356		
EP2405-25-14-10FF	ft	440	225	150	lb	74	in	26.5	25	21	20	26.5	14	11.25	14	12.05	3:45
	m	134	69	46	kg	34	mm	673	635	533	508	673	356	286	356		
EP2405-31-8-10FF	ft	465	205	155	lb	74	in	32.5	31	26	14	20.5	8	11.25	17	12.05	3:00
	m	142	62	47	kg	34	mm	826	787	610	356	521	203	286	432		
EP2405-31-10-10FF	ft	570	240	185	lb	76	in	32.5	31	24	16	22.5	10	11.25	17	12.05	3:30
	m	174	73	56	kg	34	mm	826	787	610	406	572	254	286	432		
EP2405-31-16-10FF	ft	930	405	305	lb	80	in	32.5	31	24	22	28.5	16	11.25	17	12.05	5:45
	m	283	123	93	kg	36	mm	826	787	610	559	724	406	286	432		

Prop 65:  **WARNING:**
Cancer and Reproductive Harm
www.P65Warnings.ca.gov.

Built to order, not returnable.

*Hose retraction times, based on largest size hose listed, are approximate and will vary depending on how hose piles on drum. Speed control options also available.

Heavy Duty Large Frame Reels Series 3900

Made in USA 

1 1/2" fluid path for 1" through 1 1/2" I.D. hose

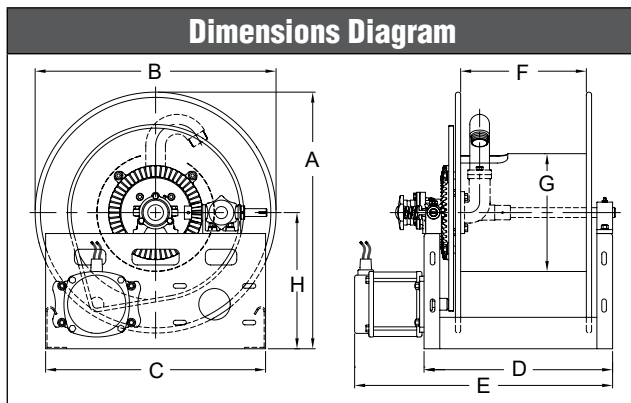
Rewind: Gear-drive rewind or chain and sprocket drive powered by A.C. or D.C. electric motor, compressed air motor or hydraulic motor.

Inlet: 2" straight grooved fitting with 1 1/2" female NPT straight swivel joint is standard. 2" 90° grooved fitting with 1 1/2" NPT female available at extra cost.

Gooseneck: 1", 1 1/4" and 1 1/2" female/male NPT outlet. Other sizes and/or threads can be furnished and must be specified.

1/2" pitch chain standard

Shown with optional bevel crank.



Fluid Path Material: Aluminum standard; ductile iron, carbon steel and stainless steel available.

Seal Material: Low temperature Buna-N standard; Viton®, FKM and EPDM also available. Standard temperatures range from -50 °F (-45 °C) to 225 °F (107 °C). Standard pressures to 3000 psi.

The standard color for this series is red. See page 49 for color options.

Popular pre-configured reels listed

Don't see what you need? See page 27 to configure a reel for your needs. Available options and accessories listed on page 28.

Hose I.D.	in mm	1 25	1 1/4 32	1 1/2 38	Specifications - Hose Capacity and Reel Dimensions											Retraction Time* min:sec			
					HC = Hand Crank; EP = Explosion Proof 12 V DC Motor														
Hose O.D.	in mm	1.563 40	1.813 46	2.063 52	Model without Hose	Hose Length				Weight	A	B	C	D	E	F	G	H	Spool RPM
HC3900-19-16-15FF	ft	60	50	45	lb	90	in	22.5	21	21	22	31.7	16	11.25	13	N/A	N/A		
	m	18	15	14	kg	41	mm	572	533	533	559	805	406	286	330	N/A	N/A		
HC3900-19-20-15FF	ft	70	65	55	lb	93	in	22.5	21	21	26	35.7	20	11.25	13	N/A	N/A		
	m	21	20	17	kg	42	mm	572	533	533	660	907	508	286	330	N/A	N/A		
EP3905-23-12-15FF	ft	100	60	50	lb	87	in	24.5	21	21	18	24.5	12	11.25	13	40.18	0:30		
	m	30	18	15	kg	39	mm	622	533	533	457	622	305	286	330	40.18	0:30		
EP3905-23-18-15FF	ft	155	90	85	lb	93	in	24.5	21	21	24	30.5	18	11.25	13	40.18	0:45		
	m	47	27	26	kg	42	mm	622	533	533	610	775	457	286	330	40.18	0:45		
EP3905-23-26-15FF	ft	225	140	125	lb	100	in	24.5	21	21	32	38.5	26	11.25	13	13.39	2:45		
	m	69	43	38	kg	45	mm	622	533	533	813	978	660	286	330	13.39	2:45		
EP3905-23-28-15FF	ft	240	150	135	lb	103	in	24.5	21	21	34	40.5	28	11.25	13	40.18	1:00		
	m	73	46	41	kg	47	mm	622	533	533	864	1029	711	286	330	40.18	1:00		
EP3905-25-12-15FF	ft	135	90	50	lb	89	in	26.5	21	21	18	24.5	12	11.25	14	40.18	0:30		
	m	41	27	15	kg	40	mm	673	533	533	457	622	305	286	356	40.18	0:30		
EP3905-25-20-15FF	ft	230	160	95	lb	97	in	26.5	21	21	26	32.5	20	11.25	14	13.39	2:00		
	m	70	49	29	kg	44	mm	673	533	533	660	826	508	286	356	13.39	2:00		
EP3905-31-12-15FF	ft	215	155	105	lb	92	in	32.5	24	24	18	24.5	12	11.25	17	13.39	2:00		
	m	66	47	32	kg	42	mm	826	610	610	457	622	305	286	432	13.39	2:00		
EP3905-31-20-15FF	ft	365	290	190	lb	100	in	32.5	24	24	26	32.5	20	11.25	17	40.18	1:15		
	m	111	88	58	kg	45	mm	826	610	610	660	826	508	286	432	40.18	1:15		

Built to order, not returnable.

*Hose retraction times, based on largest size hose listed, are approximate and will vary depending on how hose piles on drum. Speed control options also available.

Prop 65: ⚠ WARNING:
Cancer and Reproductive Harm
www.P65Warnings.ca.gov

Liquid Propane Reels | Series 3900 LPG / 80000 / D80000

Heavy Duty Large Frame Reels Series 3900 LPG

1 1/2" or 2" fluid path for 1" through 2" I.D. hose



Rewind: Gear-drive or chain and sprocket drive powered by explosion proof A.C. or D.C. electric motor, compressed air motor or hydraulic motor.

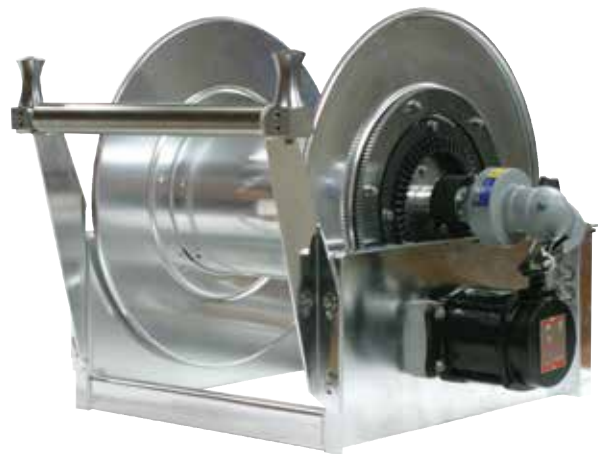
Inlet: Full Circle® UL approved swivels available in 1", 1 1/2" and 2" as standard.

Available in polished aluminum

Fluid Path Material: Aluminum

Hose Boss: (optional accessory):

The Hose Boss Rewind Assist consists of a rewind switch mounted in an extended arm with two hose rollers.



Heavy Duty Spring Retractable Reels

Series 80000/D80000 - 1/2", 3/4", 1" I.D.

OPTIONS

Choose a reel model from the chart below, then use the suffix codes below to choose a flange/end plate material.

LP82000 OL□

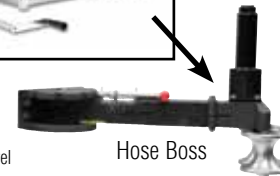
Flange/End Plate Material	
Stainless Steel	S
Carbon Steel	P



Hose not included



Inset: Series 3900 LPG with optional Hose Boss



Series 80000 Carbon steel With Full Circle® swivel

Hose Boss

Model without hose	Hose I.D.		Hose O.D.		Capacity		Pressure		Weight		A		B		C		D		E		F	
	in	mm	in	mm	ft	m	psi	bar	lbs	kg	in	mm	in	mm	in	mm	in	mm	in	mm	in	mm
Series 80000 / D80000: Spring Driven Reels																						
LP82000 OL□*	1/2	13	.845	21	100	30	300	21	82	37	25 3/8	645	24	610	10	254	6	152	15 3/8	391	8 1/8	206
LP83000 OL□*	3/4	19	1.188	30	50	15	350	24	82	37	25 3/8	645	24	610	10	254	6	152	15 3/8	391	8 1/8	206
LPD83000 OL□*	3/4	19	1.188	30	75	23	350	24	77	35	25 3/8	645	24	610	10 1/2	267	7 7/8	200	17 3/4	451	10 3/8	264
LPD84000 OL□*	1	25	1.500	38	50	15	350	24	77	35	25 3/8	645	24	610	10 1/2	267	7 7/8	200	17 7/8	454	10 3/8	264

*Choose flange/end plate material from charts above. Refer to page 14 for dimension chart.

Series 3900 LPG model numbers are representative. Final part number assigned upon quote.

Don't see what you need? See page 27 to configure a reel for your needs. Available options and accessories listed on page 28.

Hose I.D.	in	1	1 1/4	1 1/2	Specification - Hose Capacity and Reel Dimensions											
	mm	25	32	38	Refer to chart on page 31 for Series 3900 LPG dimensions.											
Hose O.D.	in	1.563	1.813	2.063												
	mm	40	46	52												
Model	Hose Length				Est. Weight	A	B	C	D	E	F	G	H			
	ft	m	ft	m												
3900-19-20	ft	70	65	55	lb	103	in	22.5	21	21	26	33	20	11.25	13	
	m	21	20	17	kg	47	mm	572	533	533	660	838	508	286	330	
3900-23-16	ft	140	80	75	lb	100	in	24.5	23	21	22	29	16	11.25	13	
	m	43	24	23	kg	45	mm	622	584	533	559	737	406	286	330	
3900-23-20	ft	170	110	95	lb	105	in	24.5	23	21	26	33	20	11.25	13	
	m	52	34	29	kg	48	mm	622	584	533	660	838	508	286	330	
3900-23-24	ft	210	130	115	lb	110	in	24.5	23	21	30	37	24	11.25	13	
	m	64	40	35	kg	50	mm	622	584	533	762	940	610	286	330	
3900-25-14	ft	150	105	65	lb	102	in	26.5	25	21	20	27	14	11.25	14	
	m	46	32	20	kg	46	mm	673	635	533	508	686	356	286	356	
3900-25-18	ft	210	135	85	lb	105	in	26.5	25	21	24	31	18	11.25	14	
	m	64	41	26	kg	48	mm	673	635	533	610	787	457	286	356	
3900-23-26	ft			95	lb	112	in	24.5	23	21	32	39	26	15	13	
	m			29	kg	51	mm	622	584	533	813	991	660	381	330	
3900-31-12	ft			95	lb	102	in	32.5	31	24	18	25	12	15	17	
	m			29	kg	46	mm	826	787	610	457	635	305	381	432	
3900-31-22	ft			185	lb	115	in	32.5	31	24	28	35	22	15	17	
	m			56	kg	52	mm	826	787	610	711	889	559	381	432	

Prop 65: ⚠️ WARNING: Cancer and Reproductive Harm www.P65Warnings.ca.gov.

Built to order, not returnable.

Large Frame Hose Reels | Series 3700 / 5900

Heavy Duty Large Frame Reels Series 3700 & 5900

2", 3" or 4" fluid path for 1 1/2" through 4" I.D. hose

Rewind: Gear-drive crank rewind or chain and sprocket drive powered by A.C. or D.C. electric motor, compressed air motor or hydraulic motor.

Inlet: 2" (3700) / 3" (5900) straight grooved fitting is standard. 4" (5900) 90° grooved fitting and 24" diameter drum is standard. 90° grooved fitting swivel joint available at extra cost.

Gooseneck: 2" (3700) / 3" (5900) / 4" (5900) female NPT. Other sizes and/or threads can be furnished and must be specified.

Fluid Path Material: Aluminum standard; carbon steel and stainless steel available.

The standard color for this series is red. See page 49 for color options.

Popular pre-configured reels listed

Don't see what you need? See page 27 to configure a reel for your needs. Available options and accessories listed on page 28.

Made in USA 



Series 5900
Shown with optional
bevel crank.



Series 3700
Shown with optional
bevel crank.

1/2" pitch chain standard

Seal Material: Low temperature Buna-N standard. Temperature range from -50 °F (-45 °C) to 225 °F (107 °C).

Reference page 31 for dimensional drawings.

Hose I.D.	in mm	2 51	2 1/2 64	3 76	Specifications - Hose Capacity and Reel Dimensions										Retraction Time*		
					Hose Length					Weight						A B C D E F G H	
Hose O.D.	in mm	2.563 65	3.188 81	3.75 95	HC = Hand Crank; EP = Explosion Proof 12 V DC Motor										min:sec		
Model without Hose					Weight		A	B	C	D	E	F	G	H	Spool RPM	min:sec	
HC3700-23-20-20VF	ft m	25 8			lb kg	114 52	in mm	24.5 622	23 584	21 533	26 660	35.7 907	20 508	15 381	13 330	N/A	N/A
EP3705-25-20-20VF	ft m	55 17			lb kg	124 56	in mm	26.5 673	25 635	21 533	26 660	32.5 826	20 508	15 381	14 356	13.39	1:00
EP3705-25-24-20VF	ft m	75 23			lb kg	128 58	in mm	26.5 673	25 635	21 533	30 762	36.5 927	24 610	15 381	14 356	13.39	1:30
EP3705-25-32-20VF	ft m	100 30			lb kg	136 62	in mm	26.5 673	25 635	21 533	38 965	44.5 1130	32 813	15 381	14 356	40.18	0:45
EP3705-31-12-20VF	ft m	55 17			lb kg	134 61	in mm	32.5 826	31 787	24 610	18 457	24.5 622	12 305	15 381	17 432	13.39	1:00
EP3705-31-20-20VF	ft m	95 29			lb kg	142 64	in mm	32.5 826	31 787	24 610	26 660	32.5 826	20 508	15 381	17 432	13.39	1:30
EP3705-39-16-20VF	ft m	165 50			lb kg	182 83	in mm	40.5 1029	39 991	24 610	22 559	28.5 724	16 406	15 381	21 533	13.39	2:15
EP3705-39-24-20VF	ft m	250 76			lb kg	190 86	in mm	40.5 1029	39 991	24 610	30 762	36.5 927	24 610	15 381	21 533	10.04	4:30
HC5900-31-16X15-30VF	ft m		45 14	35 11	lb kg	140 64	in mm	32.5 826	31 787	24 610	22 559	33.8 859	16 406	15 381	17 432	N/A	N/A
EP5905-31-24X15-30VF	ft m		60 18	55 17	lb kg	150 68	in mm	32.5 826	31 787	24 610	30 762	36.5 927	24 610	15 381	17 432	10.04	1:15
EP5905-31-32X15-30VF	ft m		85 26	70 21	lb kg	160 73	in mm	32.5 826	31 787	24 610	38 965	44.5 1130	32 813	15 381	17 432	13.39	1:15
EP5905-36-12-30VF	ft m		30 9	35 11	lb kg	146 66	in mm	37.5 953	36 914	24 610	18 457	24.5 622	12 305	20 508	21 533	13.39	0:30
EP5905-36-16-30VF	ft m		55 17	45 14	lb kg	150 68	in mm	37.5 953	36 914	24 610	22 559	28.5 724	16 406	20 508	21 533	13.39	0:30
EP5905-39-12-30VF	ft m		55 17	35 11	lb kg	180 82	in mm	40.5 1029	39 991	24 610	18 457	24.5 622	12 305	20 508	21 533	13.39	0:30
EP5905-39-16-30VF	ft m		90 27	45 14	lb kg	200 91	in mm	40.5 1029	39 991	24 610	22 559	28.5 724	16 406	20 508	21 533	10.04	0:45
EP5905-39-24-30VF	ft m		125 38	65 20	lb kg	210 95	in mm	40.5 1029	39 991	24 610	30 762	36.5 927	24 610	20 508	21 533	10.04	1:15

Built to order, not returnable.

*Hose retraction times, based on largest size hose listed, are approximate and will vary depending on how hose piles on drum. Speed control options also available.

Prop 65: ⚠️ **WARNING:**
Cancer and Reproductive Harm
www.P65Warnings.ca.gov

Customer Service: 1.855.634.9109
All Other Calls: 1.800.444.3134



Large Frame Hose Reels | Series 3800

Heavy Duty Large Frame Reels Petroleum Service

1 1/2" or 2" fluid path for 1 1/4" through 2" I.D. hose

Rewind: Chain and sprocket drive powered by A.C. or D.C. electric motor, compressed air motor or hydraulic motor. 30° manual rewind assembly available at extra cost.

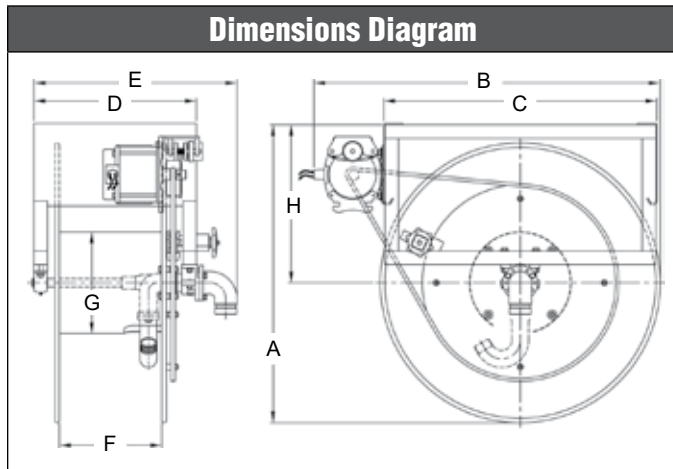
Inlet: 90° 2" grooved fitting is standard. Straight swivel joints may be specified at no extra cost.

Gooseneck: 1 1/4", 1 1/2" or 2" female/male NPT is available. Specify male or female fitting and hose size when ordering.

Brakes and locks: Manual friction brake and air operated caliper brake are standard.



Made in USA 



Fluid Path Material: Aluminum standard; ductile iron, carbon steel and stainless steel available.

Seal Material: (1 1/4 - 1 1/2" I.D.) Low temperature Buna-N standard; Viton®, FKM and EPR also available. (2" I.D.) Buna-N only. Standard temperatures range from -50 °F (-45 °C) to 225 °F (107 °C). Standard pressures to 300 psi.

The standard color for this series is red or gray. See page 49 for color options.

Model numbers are representative. Final part number assigned upon quote.

Don't see what you need? See page 27 to configure a reel for your needs. Available options and accessories listed on page 28.

Hose I.D.		in	1 1/4	1 3/8	1 1/2	2	Specification - Hose Capacity and Reel Dimensions									
Hose O.D.		mm	32	35	38	51	Est. Weight		A	B	C	D	E	F	G	H
		mm	1.813	2.000	2.063	2.563	lb	kg	in	mm	mm	mm	mm	mm	mm	mm
Model	Hose Length								A	B	C	D	E	F	G	H
3800-31-10	ft	130	105	85			174		33	38.5	30	16	20.25	10	11.25	17.5
	m	40	32	26			79		838	978	762	406	514	254	286	445
3800-31-12	ft	155	125	105			176		33	38.5	30	18	22.25	12	11.25	17.5
	m	47	38	32			80		838	978	762	457	565	305	286	445
3800-31-16	ft	210	170	150			180		33	38.5	30	22	26.25	16	11.25	17.5
	m	64	52	46			82		838	978	762	559	667	406	286	445
3800-39-7	ft	120	105	105			212		41	43.5	32	13	17.25	17	11.25	21.5
	m	37	32	32			96		1041	1105	813	330	438	432	286	546
3800-39-9	ft	160	140	140			214		41	43.5	32	15	19.25	9	11.25	21.5
	m	49	43	43			97		1041	1105	813	381	489	229	286	546
3800-39-11	ft	240	175	175			216		41	43.5	32	17	21.25	11	11.25	21.5
	m	73	53	53			98		1041	1105	813	432	540	279	286	546
3800-31-13	ft	170	110	110	70		178		33	38.5	30	19	24.5	13	15	17.5
	m	52	34	34	21		81		838	978	762	483	622	330	381	445
3800-39-12	ft	230	195	165	110		218		41	43.5	32	18	23.5	12	15	21.5
	m	70	59	50	34		99		1041	1105	813	457	597	305	381	546
3800-39-16	ft	305	255	230	165		224		41	43.5	32	22	27.5	16	15	21.5
	m	93	78	70	50		102		1041	1105	813	559	699	406	381	546

Prop 65:  **WARNING:**
Cancer and Reproductive Harm
www.P65Warnings.ca.gov

Built to order, not returnable.



Heavy Duty Single Wrap Reels Petroleum / Aviation Fuel Service

1 1/2", 2" or 3" fluid path for 1 3/8" through 3" I.D. hose

Rewind: Chain and sprocket drive powered by A.C. or D.C. electric motor, compressed air motor or hydraulic motor.

Inlet: 2" grooved fitting is standard for 1 3/8" through 3" ID hose. 3" grooved fitting is standard for 2 1/2" and 3" ID hose. 1 1/2", 2" and 3" NPT or BSPP available. 90° inlets available.

Gooseneck: 1 1/2", 2" and 3" NPT or BSPP. Specify male or female threads for gooseneck.

Brakes and locks: Air operated caliper brake and idler assembly is standard. Manual friction brake optional.

Materials: Standard frame and spool assembly are made of heavy duty steel construction. Also available in aluminum. The standard color for this series is red or gray. See page 49 for color options.

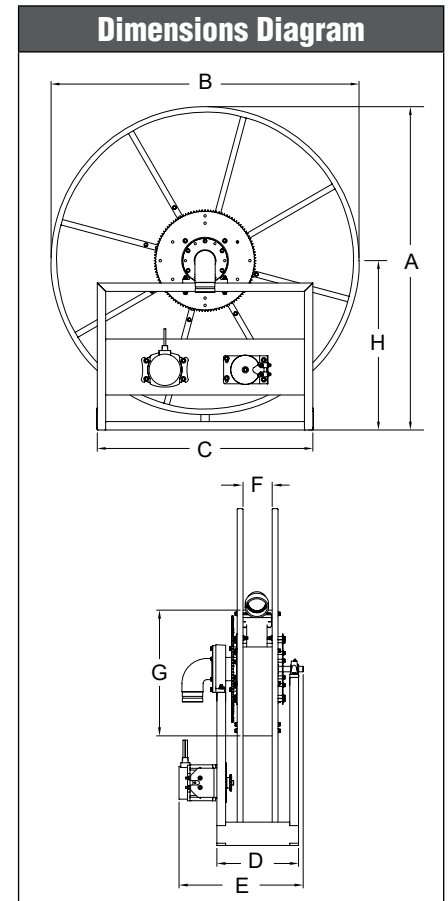
Fluid Path Material: Aluminum standard; ductile iron, carbon steel and stainless steel available.

Seal Material: (1 3/8 - 1 1/2" I.D.) Low temperature Buna-N standard; Viton®, FKM and EPR also available. (2 - 3" I.D.) Buna-N only. Standard temperatures range from -50 °F (-45 °C) to 225 °F (107 °C). Standard pressures to 300 psi.

Model numbers are representative. Final part number assigned upon quote.

Don't see what you need? See page 27 to configure a reel for your needs.

Available options and accessories listed on page 28.



Hose I.D.	in mm	1 3/8	1 1/2	2	2 1/2	3	Reel Dimensions				
		in	in	in	in	in					
Hose O.D.	in	2.000	2.063	2.563	3.063	3.750					
	mm	51	52	65	81	95					
Model	Hose Length						A	B	C	H	
6000-47	ft	55	50	30	25	20	in	48.5	47	38.5	25
	m	17	15	9	8	6	mm	1232	1194	978	635
6000-55	ft	80	75	50	40	35	in	55.75	55	38.5	28.25
	m	24	23	15	12	11	mm	1416	1397	978	718
6000-62	ft	100	100	70	50	50	in	62.75	62	38.5	31.75
	m	30	30	21	15	15	mm	1594	1575	978	806
6000-68	ft	125	120	85	70	60	in	68.75	68	38.5	34.75
	m	38	37	26	21	18	mm	1746	1727	978	883
6000-72	ft	150	140	100	80	70	in	72.75	72	38.5	36.75
	m	46	43	30	24	21	mm	1848	1829	978	933

Hose I.D.	Reel Dimensions							
	D		E		F		G*	
	in	mm	in	mm	in	mm	in	mm
1 3/8"	12	305	18.5	470	2.5	64	18	457
1 1/2"	12	305	18.5	470	2.5	64	18	457
2"	12	305	18.5	470	3.5	89	24	610
2 1/2"	13	330	19.5	495	3.5	89	24	610
3"	14	356	20.5	521	4.5	114	24	610

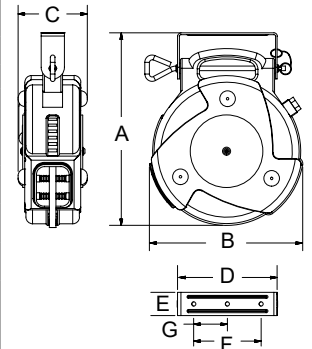
*Drum diameter conforms to API 1529 Appendix A.

Built to order, not returnable.

Prop 65: ⚠ WARNING:
Cancer and Reproductive Harm
www.P65Warnings.ca.gov.

Light/Medium Duty Cord Reels | Series LD / LG / LH

Light/Medium Duty Cord Reels



	Dimensions - Size Index					
	1		2		3	
	in	mm	in	mm	in	mm
A	117/8	302	145/8	371	161/2	419
B	91/4	235	113/4	298	14	356
C	33/4	95	51/4	133	51/4	133
D	23/4	98	73/4	197	91/2	241
E	2	51	13/4	44	13/4	44
F	17/8	48	51/8	130	61/2	165
G	7/16	11	21/2	54	31/4	83

Series LD Cord Reels

Designed for overhead mounting, these reels are compact, feature a powder coated steel housing, adjustable cable stop and a resettable circuit breaker.

Model with Cord	Cord Ending	Cord Specifications						Volts	Amps	Weight		Size Index #
		AWG	mm	# Cond	ft	m	Type			lbs	kg	
LD2040 163 2*	#2	16	1.33	3	40	12	SJTW	120	0.3	11	5	1
LD2030 163 9	#9	16	1.33	3	30	9	SJTW	125	10	8	4	1
LD2030 143 9	#9	14	2.08	3	30	9	SJTW	125	13	9	4	1

*Requires a minimum of 5' hanging cable (outside reel). Designed for ceiling mount. 2' pigtail with 3 prong plug included.

Series LG Cord Reels

The medium duty Series LG cord reels are constructed from high-impact resistant composite materials to be lighter and compact. They feature an adjustable cable stop, detachable mounting bracket, and a circuit breaker that can be reset.

Model with Cord	Cord Ending	Cord Specifications						Volts	Amps	Weight		Size Index #
		AWG	mm	# Cond	ft	m	Type			lbs	kg	
LG3050 163 8*	#8	16	1.33	3	50	15	SJTW	120	10	13	6	2
LG3050 143 10	#10	14	2.08	3	50	15	SJTOW	125	12	13	6	2
LG3050 143 9	#9	14	2.08	3	50	15	SJTW	125	13	14	6	2
LG3075 143 9Q	#9Q	14	2.08	3	75	23	SJTOW	125	10	20	9	3
LG3040 123 9	#9	12	3.32	3	40	12	SJTW	125	15	14	6	2
LG3065 123 9Q	#9Q	12	3.32	3	65	20	SJTOW	125	15	24	11	3

*Requires a minimum of five feet hanging cable (outside reel). 3' pigtail with 3 prong plug included.

Series LH Hand Crank Reels

Designed with the contractor in mind, Series LH medium-duty hand crank reels are portable and deliver power where and when it is necessary. They feature four circuit breaker protected outlets and a corrosion resistant powder coating.

Model with Cord*	Cord Ending	Cord Specifications						Volts	Amps	Weight	
		AWG	mm	# Cond	ft	m	Type			lbs	kg
LH2080 143	4 Outlets	14	2.08	3	80	24	SJTW	125	10	15	7
LH3100*	4 Outlets	10	5.37	3	100	30	STW	125	15	13	6

*Does not include cord. See Reelcraft.com for dimensional information.

Products on this page are warranted for 1 year.

Cord End Specifications

	#2 - Fluorescent Light 13 watt fluorescent light with shock-resistant lamp holder and shatter-resistant tube with switch. (models are UL listed in United States)
	#8 - Fluorescent Light 13 watt fluorescent light features an on/off switch on the handle and an outlet. (models are UL listed in United States)
	#9 - Triple Outlet Triple outlet with grounded receptacles. For maximum ratings, consult manufacturer. (models are UL listed in United States and Canada)
	#9Q - Quad Outlet Circuit breaker protected, fanned quad 4 grounded NEMA5-15 outlets with LED power "on" indicator light. (models are ETL listed)
	#10 - LED Light 1300 Lumen LED with bright COB illumination; grounded 12 amp outlet and on-off switch on handle. (models are ETL listed)



Models listed with an icon can ship same day upon request when the order is received by 1:00 PM Eastern Time for quantities of 10 or fewer.

- Indiana Warehouse
- Indiana & California Warehouses
- California Warehouse
- Canadian Warehouse

Prop 65: **WARNING:**
Cancer and Reproductive Harm
www.P65Warnings.ca.gov.



Interactive Reel Catalog

Visit www.reelcraft.com/catalog for complete product specifications, available parts and accessories.

Heavy Duty Power Cord Reels | Series L 3000 / L 4000 / L 5000 / L 70000

L 4050163 *

REEL SERIES

30 = SERIES 3000
40 = SERIES 4000
45 = SERIES 4500
55 = SERIES 5500
57 = SERIES 5700
70 = SERIES 7000
or SERIES 70000

WIRE SIZE
10 = 10 GAUGE
12 = 12 GAUGE
16 = 16 GAUGE

LENGTH OF CORD
00 = W/O CORD
25 = 25 FEET
30 = 30 FEET
35 = 35 FEET
45 = 45 FEET
50 = 50 FEET
75 = 75 FEET
100 = 100 FEET

STYLE NUMBERS
Reference pages
36-42 for cord end
options.

NO. OF CONDUCTORS
2 = TWO CONDUCTOR
3 = THREE CONDUCTOR
4 = FOUR CONDUCTOR

Model Number Significance

This chart is for reference purposes only. Due to third party listings, reels cannot be ordered by selecting from this chart. Please refer to available model charts on pages 36-42 or consult Reelcraft for any questions about option combinations.

UL / CSA Standard Definitions



UL 355 - UL Standard for Safety Cord Reels
GFCI models meet UL requirements for portable GFCI's with open neutral protection.



CSA - C22.2 NO. 21-95 - Cord Sets and Power Supply Cords

Series L 3000 Cord Reels

Reelcraft's Series 3000 reels are all-steel construction and ultra-compact for a wide range of bench mount or mobile applications with critical space requirements. These compact reels easily fit within a 1 ft. x 1 ft. space.



NEW!

L 3030 123 7Q

Model with Cord	Cord Ending	Cord Specifications					Volts	Amps	Weight		
		AWG	mm ²	# Cond	ft	m			Type	lbs	kg
L 3030 123 3	Single receptacle NEMA 5-15R, Inlet straight blade plug NEMA 5-15P	12	3.32	3	30	9	SJTO	125	15	23	10
L 3030 123 7Q	Quad box outlet NEMA 5-20R, Inlet straight blade plug NEMA 5-20P	12	3.32	3	30	9	SJTO	125	20	25	11
L 3030 123 X	Flying Lead both ends	12	3.32	3	30	9	SJTO	125	20	24	11

For indoor, non-weathertight applications only. All models UL listed at 125 Volt 60 HZ single phase. Models supplied with 4 ft. inlet cord.

Under Bench Mount	Dimensions	
	in	mm
A	11 ³ / ₁₆	284
B	11 ¹ / ₁₆	281
C	9 ¹ / ₄	235
D	8	203
E	4 ³ / ₁₆	106
F	6	152
G	2 ¹ / ₂	64

Triple Tap Power Cord Reels

Model with Cord	Cord Ending	Cord Specifications					Volts	Amps	Shipping Weight	Size Index #		
		AWG	mm ²	# Cond	ft	m					Type	lbs
L 4050 163 9	Triple tap outlet NEMA 5-15R, Inlet straight blade plug NEMA 5-15P	16	1.33	3	50	15	SJEOOW	125	13	26	12	1
L 4545 123 9		12	3.32	3	45	14	SJEOOW	125	15	28	13	1
L 70075 123 9		12	3.32	3	75	23	SE00W	125	15	71	32	5
L 70100 123 9		12	3.32	3	100	30	SE00W	125	15	75	34	5
L 4545 123 9G*	Triple tap outlet w/ GFCI NEMA 5-15R, Inlet straight blade plug NEMA 5-15P	12	3.32	3	45	14	SJEOOW	125	15	29	13	1
L 70075 123 9G*		12	3.32	3	75	23	SE00W	125	15	72	33	5
L 70100 123 9G*		12	3.32	3	100	30	SE00W	125	15	76	34	5
L 4545 123 9C		Triple tap outlet NEMA 5-15R, Inlet twist lock plug NEMA L5-15P	12	3.32	3	45	14	SJEOOW	125	15	28	13
L 70075 123 9C	12		3.32	3	75	23	SE00W	125	15	71	32	5
L 70100 123 9C	12		3.32	3	100	30	SE00W	125	15	75	34	5
L 4545 123 9GC*	Triple tap outlet w/ GFCI NEMA 5-15R Inlet twist lock plug NEMA L5-15P		12	3.32	3	45	14	SJEOOW	125	15	29	13
L 70075 123 9GC*		12	3.32	3	75	23	SE00W	125	15	72	33	5
L 70100 123 9GC*		12	3.32	3	100	30	SE00W	125	15	76	34	5

For indoor non-weathertight applications only. All models UL listed at 125 Volt 60 HZ single phase. See page 6 for guide arm positions. Swing brackets or pivot bases should be used if cords are pulled at more than 45°, see page 51. *The GFCI Receptacle is designed to protect from line-to-ground shock hazards. It does not protect against short circuits or overloads; this is the function of the fuse or circuit breaker.



Made in USA



L 4545 123 9G

Cord End Specifications

	#9/9G/9C/9GC - Triple Tap 15 Amp molded triple tap. GFCI protection on #9G only. NEMA 5-15R
--	---

Refer to page 41 for dimensional drawings.

Models listed with an icon can ship same day upon request when the order is received by 1:00 PM Eastern Time for quantities of 10 or fewer.

- Indiana Warehouse
- California Warehouse
- Indiana & California Warehouses
- Canadian Warehouse



Interactive Reel Catalog

Visit www.reelcraft.com/catalog for complete product specifications, available parts and accessories.

Prop 65: ⚠ WARNING:
Cancer and Reproductive Harm
www.P65Warnings.ca.gov.

Customer Service: 1.855.634.9109
All Other Calls: 1.800.444.3134



Heavy Duty Power Cord Reels | Series L 4000 / L 5000 / L 70000



Made in USA

- Compact for critical space requirements
- Wall, ceiling or bench mount
- Adjustable cord stop
- All models supplied with cord are complete with a 4-5 foot pigtail and three-prong plug (except flying lead reels)
- Engineered for industrial/commercial use
- Durable abrasion and corrosion resistant baked-on powder coat finish

L 5550 123 3A



L 70100 123 3A



Single Receptacle Power Cord Reels

Model with Cord	Cord Ending	Cord Specifications					Volts	Amps	Shipping Weight		Size Index #	
		AWG	mm ²	# Cond	ft	m			Type	lbs		kg
L 4035 163 3	Single receptacle NEMA 5-15R, Inlet straight blade plug NEMA 5-15P	16	1.33	3	35	11	SJTOW	125	13	25	11	1
L 4050 163 3		16	1.33	3	50	15	SJTOW	125	13	26	12	1
L 4525 123 3		12	3.32	3	25	8	SJEOOW	125	15	24	11	1
L 4545 123 3		12	3.32	3	45	14	SJEOOW	125	15	27	12	1
L 5550 123 3		12	3.32	3	50	15	SJEOOW	125	15	44	20	3
L 70075 123 3		12	3.32	3	75	23	SEOOOW	125	15	70	32	5
L 70100 123 3		12	3.32	3	100	30	SEOOOW	125	15	74	34	5
L 4525 123 3A	Single receptacle NEMA 5-20R, Inlet straight blade plug NEMA 5-20P	12	3.32	3	25	8	SJEOOW	125	20	25	11	1
L 4545 123 3A		12	3.32	3	45	14	SJEOOW	125	20	28	13	1
L 5550 123 3A		12	3.32	3	50	15	SJEOOW	125	20	44	20	3
L 70075 123 3A		12	3.32	3	75	23	SEOOOW	125	20	70	32	5
L 70100 123 3A	12	3.32	3	100	30	SEOOOW	125	20	74	34	5	
L 4525 123 3AC	Single receptacle NEMA 5-20R, Inlet twist lock plug NEMA L5-20P	12	3.32	3	25	8	SJEOOW	125	20	25	11	1
L 4545 123 3AC		12	3.32	3	45	14	SJEOOW	125	20	28	13	1
L 5550 123 3AC		12	3.32	3	50	15	SJEOOW	125	20	44	20	3
L 70075 123 3AC		12	3.32	3	75	23	SEOOOW	125	20	70	32	5
L 70100 123 3AC		12	3.32	3	100	30	SEOOOW	125	20	74	34	5
L 4525 123 15B	Twist lock single receptacle NEMA L5-15R, Inlet straight blade plug NEMA 5-15P	12	3.32	3	25	8	SJEOOW	125	15	24	11	1
L 4545 123 15B		12	3.32	3	45	14	SJEOOW	125	15	27	12	1
L 5550 123 15B		12	3.32	3	50	15	SJEOOW	125	15	44	20	3
L 70075 123 15B		12	3.32	3	75	23	SEOOOW	125	15	70	32	5
L 70100 123 15B		12	3.32	3	100	30	SEOOOW	125	15	74	34	5
L 4525 123 15BC	Twist lock single receptacle NEMA L5-15R, Inlet twist lock plug NEMA L5-15P	12	3.32	3	25	8	SJEOOW	125	15	24	11	1
L 4545 123 15BC		12	3.32	3	45	14	SJEOOW	125	15	27	12	1
L 5550 123 15BC		12	3.32	3	50	15	SJEOOW	125	15	44	20	3
L 70075 123 15BC		12	3.32	3	75	23	SEOOOW	125	15	70	32	5
L 70100 123 15BC		12	3.32	3	100	30	SEOOOW	125	15	74	34	5
L 4525 123 3B	Twist lock single receptacle NEMA L5-20R, Inlet straight blade plug NEMA 5-20P	12	3.32	3	25	8	SJEOOW	125	20	25	11	1
L 4545 123 3B		12	3.32	3	45	14	SJEOOW	125	20	28	13	1
L 5550 123 3B		12	3.32	3	50	15	SJEOOW	125	20	44	20	3
L 70075 123 3B		12	3.32	3	75	23	SEOOOW	125	20	70	32	5
L 70100 123 3B		12	3.32	3	100	30	SEOOOW	125	20	74	34	5
L 4525 123 3BC	Twist lock single receptacle NEMA L5-20R, Inlet twist lock plug NEMA L5-20P	12	3.32	3	25	8	SJEOOW	125	20	25	11	1
L 4545 123 3BC		12	3.32	3	45	14	SJEOOW	125	20	28	13	1
L 5550 123 3BC		12	3.32	3	50	15	SJEOOW	125	20	44	20	3
L 70075 123 3BC		12	3.32	3	75	23	SEOOOW	125	20	70	32	5
L 70100 123 3BC		12	3.32	3	100	30	SEOOOW	125	20	74	34	5

For indoor non-weathertight applications only. All models UL listed at 125 Volt 60 HZ single phase. See page 6 for guide arm positions. Swing brackets or pivot bases should be used if cords are pulled at more than 45°, see page 51.

Cord End Specifications

		#3 - Single Receptacle Single 15 AMP with clamp type strain relief for 16 and 12 AWG cord. NEMA 5-15R
		#3A/3AC - Single Receptacle Single 20 AMP. NEMA 5-20R
		#15B/15BC - Twist Lock Receptacle Single 15 AMP with twist lock connector. NEMA L5-15R
		#3B/3BC - Twist Lock Receptacle Single 20 AMP with twist lock connector. NEMA L5-20R

Refer to page 41 for dimensional drawings.

Prop 65: **WARNING:**
Cancer and Reproductive Harm
www.P65Warnings.ca.gov.



Interactive Reel Catalog

Visit www.reelcraft.com/catalog for complete product specifications, available parts and accessories.

Models listed with an icon can ship same day upon request when the order is received by 1:00 PM Eastern Time for quantities of 10 or fewer.

Indiana Warehouse

California Warehouse

Indiana & California Warehouses

Canadian Warehouse

Heavy Duty Power Cord Reels | Series L 4000 / L 5000 / L 70000

Made
in USA

Duplex and Quad Box Power Cord Reels

Model with Cord	Cord Ending	Cord Specifications					Volts	Amps	Shipping Weight		Size Index #	
		AWG	mm ²	# Cond	ft	m			Type	lbs		kg
L 4525 123 7*	Duplex box outlet with GFCI NEMA 5-15R, Inlet straight blade plug NEMA 5-15P	12	3.32	3	25	8	SJEOOW	125	15	27	12	1
L 4545 123 7*		12	3.32	3	45	14	SJEOOW	125	15	29	13	1
L 5550 123 7*		12	3.32	3	50	15	SEOOOW	125	15	45	20	3
L 70075 123 7*		12	3.32	3	75	23	SEOOOW	125	15	72	33	5
L 70100 123 7*		12	3.32	3	100	30	SEOOOW	125	15	76	34	5
L 4525 123 7C*	Duplex box outlet with GFCI NEMA 5-15R, Inlet twist lock plug NEMA L5-15P	12	3.32	3	25	8	SJEOOW	125	15	27	12	1
L 4545 123 7C*		12	3.32	3	45	14	SJEOOW	125	15	29	13	1
L 5550 123 7C*		12	3.32	3	50	15	SJEOOW	125	15	45	20	3
L 70075 123 7C*		12	3.32	3	75	23	SEOOOW	125	15	72	33	5
L 70100 123 7C*		12	3.32	3	100	30	SEOOOW	125	15	76	34	5
L 4525 123 7A*	Duplex box outlet with GFCI NEMA 5-20R, Inlet straight blade plug NEMA 5-20P	12	3.32	3	25	8	SJEOOW	125	20	27	12	1
L 4545 123 7A*		12	3.32	3	45	14	SJEOOW	125	20	29	13	1
L 5550 123 7A*		12	3.32	3	50	15	SEOOOW	125	20	45	20	3
L 70075 123 7A*		12	3.32	3	75	23	SEOOOW	125	20	72	33	5
L 70100 123 7A*		12	3.32	3	100	30	SEOOOW	125	20	76	34	5
L 4525 123 7AC*	Duplex box outlet with GFCI NEMA 5-20R, Inlet twist lock plug NEMA L5-20P	12	3.32	3	25	8	SJEOOW	125	20	27	12	1
L 4545 123 7AC*		12	3.32	3	45	14	SJEOOW	125	20	29	13	1
L 5550 123 7AC*		12	3.32	3	50	15	SJEOOW	125	20	45	20	3
L 70075 123 7AC*		12	3.32	3	75	23	SEOOOW	125	20	72	33	5
L 70100 123 7AC*		12	3.32	3	100	30	SEOOOW	125	20	76	34	5
L 4525 123 7B	Duplex box outlet NEMA 5-20R, Inlet straight blade plug NEMA 5-20P	12	3.32	3	25	8	SJEOOW	125	20	27	12	1
L 4545 123 7B		12	3.32	3	45	14	SJEOOW	125	20	29	13	1
L 5550 123 7B		12	3.32	3	50	15	SEOOOW	125	20	45	20	3
L 70075 123 7B		12	3.32	3	75	23	SEOOOW	125	20	72	33	5
L 70100 123 7B		12	3.32	2	100	30	SEOOOW	125	20	76	34	5
L 4525 123 7BC	Duplex box outlet NEMA 5-20R, Inlet twist lock plug NEMA L5-20P	12	3.32	3	25	8	SJEOOW	125	20	27	12	1
L 4545 123 7BC		12	3.32	3	45	14	SJEOOW	125	20	29	13	1
L 5550 123 7BC		12	3.32	3	50	15	SJEOOW	125	20	45	20	3
L 70075 123 7BC		12	3.32	3	75	23	SEOOOW	125	20	72	33	5
L 70100 123 7BC		12	3.32	3	100	30	SEOOOW	125	20	76	34	5
L 4525 123 7P	Quad box outlet NEMA 5-15R, Inlet straight blade plug NEMA 5-15P	12	3.32	3	25	8	SJEOOW	125	15	27	12	1
L 4545 123 7P		12	3.32	3	45	14	SJEOOW	125	15	29	13	1
L 5550 123 7P		12	3.32	3	50	15	SJEOOW	125	15	45	20	3
L 70075 123 7P		12	3.32	3	75	23	SEOOOW	125	15	72	33	5
L 70100 123 7P		12	3.32	3	100	30	SEOOOW	125	15	76	34	5
L 4525 123 7PC	Quad box outlet NEMA 5-15R, Inlet twist lock plug NEMA L5-15P	12	3.32	3	25	8	SJEOOW	125	15	27	12	1
L 4545 123 7PC		12	3.32	3	45	14	SJEOOW	125	15	29	13	1
L 5550 123 7PC		12	3.32	3	50	15	SJEOOW	125	15	45	20	3
L 70075 123 7PC		12	3.32	3	75	23	SEOOOW	125	15	72	33	5
L 70100 123 7PC		12	3.32	3	100	30	SEOOOW	125	15	76	34	5
L 4525 123 7Q	Quad box outlet NEMA 5-20R, Inlet straight blade plug NEMA 5-20P	12	3.32	3	25	8	SJEOOW	125	20	27	12	1
L 4545 123 7Q		12	3.32	3	45	14	SJEOOW	125	20	29	13	1
L 5550 123 7Q		12	3.32	3	50	15	SJEOOW	125	20	45	20	3
L 70075 123 7Q		12	3.32	3	75	23	SEOOOW	125	20	72	33	5
L 70100 123 7Q		12	3.32	3	100	30	SEOOOW	125	20	76	34	5
L 4525 123 7QC	Quad box outlet NEMA 5-20R, Inlet twist lock plug NEMA L5-20P	12	3.32	3	25	8	SJEOOW	125	20	27	12	1
L 4545 123 7QC		12	3.32	3	45	14	SJEOOW	125	20	29	13	1
L 5550 123 7QC		12	3.32	3	50	15	SJEOOW	125	20	45	20	3
L 70075 123 7QC		12	3.32	3	75	23	SEOOOW	125	20	72	33	5
L 70100 123 7QC		12	3.32	3	100	30	SEOOOW	125	20	76	34	5

For indoor non-weathertight applications only. All models UL listed at 125 Volt 60 HZ single phase. See page 6 for guide arm positions. Swing brackets or pivot bases should be used if cords are pulled at more than 45°. See page 51. *The GFCI Receptacle is designed to protect from line-to-ground shock hazards. It does not protect against short circuits or overloads; this is the function of the fuse or circuit breaker.



L 4545 123 7



L 5550 123 7



Cord End Specifications

	#7/7C - Duplex Outlet Box 15 AMP duplex outlet box with GFCI protection. Includes flip cover. NEMA 5-15R
	#7A/7AC/7B/7BC - Duplex Outlet Box 20 AMP duplex outlet box. GFCI protection on #7A/7AC. Includes flip cover. NEMA 5-20R
	#7P - Quad Box 15 AMP quad outlet box. Four receptacles. Does not include flip cover. NEMA 5-15R
	#7Q - Quad Box 20 AMP quad outlet box. Four receptacles. Does not include flip cover. NEMA 5-20R

Refer to page 41 for dimensional drawings.

Models listed with an icon can ship same day upon request when the order is received by 1:00 PM Eastern Time for quantities of 10 or fewer.

- Indiana Warehouse
- California Warehouse
- Indiana & California Warehouses
- Canadian Warehouse



Interactive Reel Catalog

Visit www.reelcraft.com/catalog for complete product specifications, available parts and accessories.

Prop 65: ⚠ WARNING:
Cancer and Reproductive Harm
www.P65Warnings.ca.gov.

Customer Service: 1.855.634.9109
All Other Calls: 1.800.444.3134



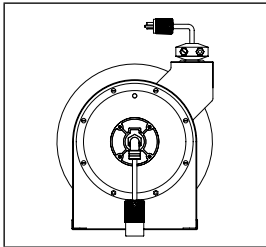
Heavy Duty Power Cord Reels | Series L 4000 / L 5000 / L 7000 / L 70000



L 4050 163 3-RP

Ideal for mobile applications, including carts.

Reverse Plug



Made in USA

Reverse Plug Power Cord Reels

Model with Cord	Cord Ending	Cord Specifications				Volts	Amps	Shipping Weight		Size Index #
		AWG	mm ²	# Cond.	ft m			lbs	kg	
L 4035 163 3-RP	Outlet straight blade plug NEMA 5-15P, Inlet single receptacle NEMA 5-15R	16	1.33	3	35 11	SJTOW	125	13	25 11	1
L 4050 163 3-RP		16	1.33	3	50 15	SJE00W	125	13	26 12	1
L 4545 123 3-RP		12	3.32	3	45 14	SJE00W	125	15	28 13	1
L 5550 123 3-RP		12	3.32	3	50 15	SJE00W	125	15	44 20	3
L 70075 123 3-RP		12	3.32	3	75 23	SEOOW	125	15	70 32	5
L 70100 123 3-RP	12	3.32	3	100 30	SEOOW	125	15	74 34	5	
L 4545 123 3A-RP	Outlet straight blade plug NEMA 5-20P, Inlet Single Receptacle NEMA 5-20R	12	3.32	3	45 14	SJE00W	125	20	28 13	1
L 5550 123 3A-RP		12	3.32	3	50 15	SJE00W	125	20	44 20	3
L 70075 123 3A-RP		12	3.32	3	75 23	SEOOW	125	20	70 32	5
L 70100 123 3A-RP		12	3.32	3	100 30	SEOOW	125	20	74 34	5
L 5750 103 4	RV plug NEMA TT-30P outlet, Flying lead inlet	10	5.37	3	50 15	SOOW	125	30	50 23	4

For indoor non-weathertight applications only. All models UL listed at 125 Volt 60 HZ single phase. See page 6 for guide arm positions. Swing brackets or pivot bases should be used if cords are pulled at more than 45°, see page 51.

Flying Lead Power Cord Reels

Flying Lead Model with Cord	Model No Cord	Cord Specifications				Volts/ Amps	Volts/ Amps	Shipping Weight*		Size Index #
		AWG	mm ²	# Cond.	ft m			lbs	kg	
L 4025 163 X	L 4000	16	1.33	3	25 8	SJE00W	125/13	220/6.5	20 9	1
L 4035 163 X	L 4000	16	1.33	3	35 11	SJE00W	125/13	220/6.5	21 10	1
L 4050 163 X	L 4000	16	1.33	3	50 15	SJE00W	125/13	220/6.5	22 10	1
-----	L 4100	16	1.33	4	50 15	SJE00W	125/10	220/5	22 10	1
L 4525 123 X	L 4500	12	3.32	3	25 8	SJE00W	125/20	220/10	20 9	1
L 4545 123 X	L 4500	12	3.32	3	45 14	SJE00W	125/20	220/10	22 10	1
-----	L 5000	10	5.27	3	35 11	SO	125/30	220/15	29 13	2
-----	L 5400	12	3.32	3	35 11	SJE00W	125/13	220/6.5	25 11	2
L 5550 123 X	L 5500	12	3.32	3	50 15	SJE00W	125/20	220/10	35 16	3
L 70075 123 X	L 70075	12	3.32	3	75 23	SJE00W	125/20	220/10	69 31	6
L 70100 123 X	L 70100	12	3.32	3	100 30	SEOOW	125/20	220/10	73 33	6
L 5550 124 X	L 5500 124	12	3.32	4	50 15	SEOOW	-----	600/16	43 20	3
L 70100 124 X	L 70100 124	12	3.32	4	100 30	SEOOW	-----	600/16	75 34	6
L 5750 103 X	L 5700	10	5.27	3	50 15	SEOOW	125/30	220/15	37 17	4
-----	L 7000	6	13.3	4	35 11	SOOW	-----	220/45	41 19	7
L 7050 104 X	-----	10	5.27	4	50 15	SEOOW	-----	600/20	65 29	7

For indoor non-weathertight applications only. All models UL listed at 125/220 Volt 60 HZ single phase. *Weight of model without cord. Reference page 6 for guide arm positions. Swing brackets or pivot bases should be used if cords are pulled at more than 45°, see page 51.

Refer to page 41 for dimensional drawings.

Interactive Reel Catalog

Visit www.reelcraft.com/catalog for complete product specifications, available parts and accessories.

Models listed with an icon can ship same day upon request when the order is received by 1:00 PM Eastern Time for quantities of 10 or fewer.

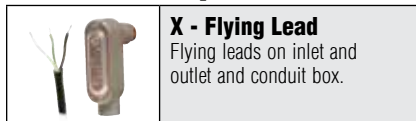
Indiana Warehouse

California Warehouse

Indiana & California Warehouses

Canadian Warehouse

Cord End Specifications


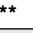



X - Flying Lead
Flying leads on inlet and outlet and conduit box.

Prop 65: **WARNING:**
Cancer and Reproductive Harm
www.P65Warnings.ca.gov.



Heavy Duty Light Cord Reels | Series L 4000 / L 5000

Model with Cord	Cord Ending	Cord Specifications				Volts	Amps	Shipping Weight		Size Index #
		AWG	mm ²	# Cond	ft m			Type	lbs	
L 4035 163 1	Incandescent lamp, Inlet straight blade plug NEMA 5-15P	16	1.33	3	35 11	SJTOW	125	10	23 10	1
L 4050 163 1  		16	1.33	3	50 15	SJTOW	125	10	27 12	1
L 4050 A 163 5**		16	1.33	3	50 15	SJEOOW	125	13	28 13	1
L 4035 163 1C	Incandescent lamp, Inlet twist lock plug NEMA L5-15P	16	1.33	3	35 11	SJTOW	125	10	23 10	1
L 4050 163 1C		16	1.33	3	50 15	SJEOOW	125	10	27 12	1
L 5245 A 163 6X**	Fluorescent lamp, Inlet straight blade plug NEMA 5-15P	16	1.33	3	45 14	SEOOO	125	0.13	39 18	2
L 4035 162 2		16	1.33	2	35 11	SJTOW	125	0.3	25 11	1
L 4050 162 2		16	1.33	2	50 15	SJTOW	125	0.3	26 12	1
L 4035 163 8	Fluorescent lamp w/ outlet, Inlet straight blade plug NEMA 5-15P	16	1.33	3	35 11	SJTO	125	10	25 11	1
L 4050 163 8		16	1.33	3	50 15	SJTO	125	10	27 12	1
L 4035 163 10	LED lamp w/ outlet, Inlet straight blade plug NEMA 5-15P	16	1.33	3	35 11	SJTOW	125	13	26 12	1
L 4050 163 10 		16	1.33	3	50 15	SJTOW	125	13	28 13	1
L 4035 163 10C	LED lamp w/ outlet, Inlet twist lock plug NEMA L5-15P	16	1.33	3	35 11	SJTOW	125	13	26 12	1
L 4050 163 10C		16	1.33	3	50 15	SJEOOW	125	13	28 13	1
L 4035 162 11	LED lamp, Inlet straight blade plug NEMA 5-15P	16	1.33	2	35 11	SJTOW	125	0.3	26 12	1
L 4050 162 11		16	1.33	2	50 15	SJTOW	125	0.3	28 13	1

For indoor non-weathertight applications only. All models UL listed at 125 Volt 60 HZ single phase. Swing brackets or pivot bases should be used if cords are pulled at more than 45°, see page 51. See page 6 for guide arm positions. **Models equipped with automatic on/off switch that activates power.



L 4050 163 10



Made in USA 




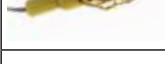





L 4050 162 2

Lamp Specifications

Diagram	Dimensions - Size Index							
	1		2		3		4	
	in	mm	in	mm	in	mm	in	mm
A	12 ⁷ / ₈	327	14 ³ / ₈	365	17 ⁵ / ₈	448	17 ⁵ / ₈	448
B	12 ⁵ / ₈	321	14 ¹ / ₄	362	16 ³ / ₄	425	16 ³ / ₄	425
C	8	203	9 ³ / ₄	248	9 ³ / ₄	248	9 ³ / ₄	248
D	2 ¹ / ₂	64	2 ¹ / ₂	64	2 ¹ / ₂	64	2 ¹ / ₂	64
E	9 ³ / ₈	239	10 ¹ / ₂	267	10 ¹ / ₂	267	12 ¹ / ₂	318
F	1 ³ / ₄	44	2 ¹ / ₈	54	2 ¹ / ₈	54	2 ¹ / ₈	54

Diagram	Dimensions - Size Index					
	5		6		7	
	in	mm	in	mm	in	mm
A	20 ¹ / ₄	514	20 ¹ / ₄	514	20 ¹ / ₄	514
B	19 ³ / ₄	502	19 ³ / ₄	502	19 ³ / ₄	502
C	7 ¹³ / ₁₆	198	7 ¹³ / ₁₆	198	7 ¹³ / ₁₆	198
D	3 ⁷ / ₈	98	3 ⁷ / ₈	98	3 ⁷ / ₈	98
E	11 ³ / ₄	298	12 ¹ / ₂	318	14 ⁵ / ₈	371

	#1 - Incandescent Light (75 watt max) Single receptacle tool tap; Push-through switch, metal grounded guard
	#2 - Fluorescent Light (825 lumens) Durable shock absorbing lamp holder; Shatter-resistant tube with switch
	#5 - Incandescent Light (100 watt max) Rubber handle with vinyl-coated cage w/o switch or receptacle; Automatic on/off switch at reel guide arm; Complies with NEC #511-3, f., portable lighting equipment; meets OSHA requirements
	#6 - Fluorescent Light Explosion proof 13 watt fluorescent hand lamp; Automatic on/off switch at reel guide arm; Suitable for Class 1, Div 1 group C and D locations Note: Reel is not explosion-proof.
	#8 - Fluorescent Light (825 lumens) 120 V - 10 amp receptacle in-line on lamp handle; Scratch guard protects lamp cover
	#10 - LED Light (930 lumens) Two ultra-high intensity 4-watt LEDs; Single 3-watt end spot light; Polycarbonate shatter-resistant light tube; In-line tool tap, NEMA 5-15R configuration maximum 12 amp draw
	#11 - LED Light (930 lumens) Two ultra-high intensity 4-watt LEDs; Single 3-watt end spot light; Polycarbonate shatter-resistant light tube


Models listed with an icon can ship same day upon request when the order is received by 1:00 PM Eastern Time for quantities of 10 or fewer.

-  Indiana Warehouse
-  California Warehouse
-  Indiana & California Warehouses
-  Canadian Warehouse



Interactive Reel Catalog

Visit www.reelcraft.com/catalog for complete product specifications, available parts and accessories.

Prop 65:  **WARNING:**
Cancer and Reproductive Harm
www.P65Warnings.ca.gov.

Customer Service: 1.855.634.9109
All Other Calls: 1.800.444.3134



Specialty Cord Reels | Series L NM400 / LS 5000



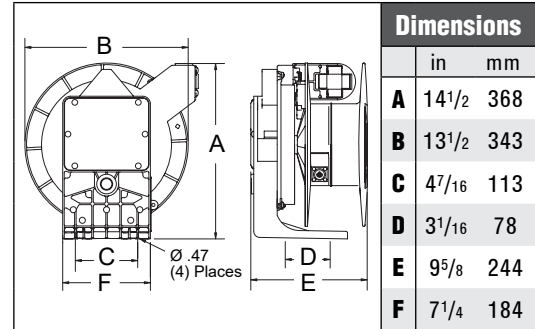
L NM440 103 X

NEMA 4 Power Cord Reels

Reelcraft's new Series L NM400 cord reels are NEMA 4 rated and designed for protection against water or dust, indoor and outdoor. The guide arm is adjustable every 5° over a 270° arc allowing for the exact configuration to suit a wide range of applications. The containerized drive spring allows for safer, easier handling during maintenance. The heavy duty cast aluminum design and powder coat finish combine to produce a rugged, corrosion-resistant product.

Model with Cord	Cord Ending	Cord Specifications					Volts	Amps	Shipping Weight		
		AWG	mm ²	# Cond.	ft	m			Type	lbs	kg
L NM450 163 X	Flying Lead	16	1.31	3	50	15	SOW	600	9	43	20
L NM450 143 X		14	2.08	3	50	15	SOW	600	13	48	22
L NM445 144 X		14	2.08	4	45	14	SOW	600	11	50	23
L NM425 123 X		12	3.31	3	25	8	SOW	600	18	44	20
L NM450 123 X		12	3.31	3	50	15	SOW	600	18	50	23
L NM440 124 X		12	3.31	4	40	12	SOW	600	14	50	23
L NM440 103 X		10	5.26	3	40	12	SOW	600	22	50	23
L NM430 104 X		10	5.26	4	30	9	SOW	600	16	50	23

All models UL listed at 125 Volt 60 HZ single phase.



LS 5445 123 3A



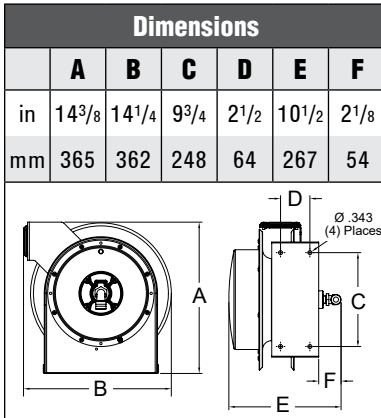
Stainless Steel Power Cord Reels

Reelcraft's new stainless steel power cord reels are designed for applications where corrosion or sanitation are a concern. The heavy gauge 304L polished stainless steel provides an easy to clean finish and superior corrosion resistance. A robust collector ring assures maximum conductivity current flow. All reels listed include a 4-5' pigtail, multi-positional guide arm, and adjustable cord stop. Models listed are for indoor, non-weathertight applications only.

Model with Cord	Cord Ending	Cord Specifications					Volts	Amps	Shipping Weight		
		AWG	mm ²	# Cond.	ft	m			Type	lbs	kg
LS 5445 123 3	Single Receptacle	12	3.32	3	45	14	SJE00W	125	15	31	14
LS 5445 123 3A		12	3.32	3	45	14	SJE00W	125	20	32	15
LS 5425 123 3M-WC*	Medical Grade Receptacle	12	3.32	3	25	8	SJE00W	125	15	30	14
LS 5445 123 3M-WC*		12	3.32	3	45	14	SJE00W	125	15	32	15
LS 5415 123 3M		12	3.32	3	15	5	SJE00W	125	15	28	13
LS 5425 123 3M		12	3.32	3	25	8	SJE00W	125	15	29	13
LS 5445 123 3M		12	3.32	3	45	14	SJE00W	125	15	31	14
LS 5445 123 7**	Duplex Box w/GFCI(F)	12	3.32	3	45	14	SJE00W	125	15	33	15
LS 5445 123 7A**		12	3.32	3	45	14	SJE00W	125	20	33	15
LS 5445 123 7B	Duplex Box	12	3.32	3	45	14	SJE00W	125	20	33	15
LS 5445 123 9	Triple Tap	12	3.32	3	45	14	SJE00W	125	15	32	15
LS 5445 123 9G**	Triple Tap w/GFCI(F)	12	3.32	3	45	14	SJE00W	125	15	33	15
LS 5400	Bare Reel	12	3.32	3	35	11	SJE00W	125	20	24	11
LS 5425 123 X	Flying Lead	12	3.32	3	25	8	SJE00W	125	20	27	12
LS 5445 123 X		12	3.32	3	45	14	SJE00W	125	20	29	13

For indoor non-weathertight applications only, in non-hazardous areas. *Reel includes white cord and white electrical enclosure.

**The GFCI Receptacle is designed to protect from line-to-ground shock hazards. The Ground Fault Circuit Interrupter does not protect against short circuits or overloads; this is the function of the fuse or circuit breaker. Reference page 6 for guide arm positions. Swing brackets or pivot bases should be used if cords are pulled at more than 45°, see page 51.



Prop 65: ⚠️ **WARNING:**
Cancer and Reproductive Harm
www.P65Warnings.ca.gov.

Models listed with an icon can ship same day upon request when the order is received by 1:00 PM Eastern Time for quantities of 10 or fewer.

🏠 Indiana Warehouse
🏠 Indiana & California
Warehouses

🏠 California Warehouse
🏠 Canadian Warehouse

Heavy Duty Cord and Cable Storage Reels

Hand Crank, Bevel Crank & Motor Driven

Keep long lengths of expensive electrical cord off the ground and out of harm's way with Reelcraft's expanded Series 30000 line, which includes cable storage reels and live power cord. The reels are designed to handle long lengths of 10/3, 12/3 and 16/3 cable.

Reelcraft's Series 30000 storage reels and live power cord reels are constructed of heavy gauge steel and are assembled with vibration-proof, self-locking fasteners to ensure assembly integrity. They undergo a five-stage cleaning process and are individually powder-coated for the highest quality, corrosion-resistant paint adhesion. Suited for indoor, non-weathertight applications only.

Cord/Cable Storage Reels

Cord and cable storage reels are used for storage, unwinding, and winding of conductive cord/cable. The reel is not intended to be live and the power source must be disconnected while reeling/de-reeling to avoid twisting the wires. Series 30000 cable storage reels are available in hand crank only.



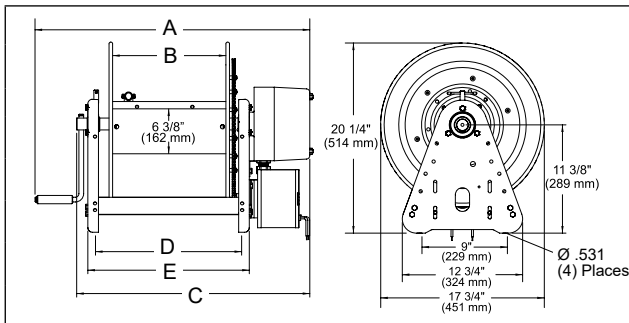
CA30112-CS
Cable not included

Live Power Cord Reels

Live power cord reels have collector rings that allow the reel to wind/unwind the cord/cable with live current without twisting the wires. Live reels offer the advantage of using a reel as an effective piece of operating equipment rather than a simple device for the storage of cable or cord. Series 30000 live power cord reels are available in direct hand crank, bevel gear crank or electric motor-driven rewind.



LE312 123 12D



		Dimensions - Size Index									
		1		2		3		4		5	
		in	mm	in	mm	in	mm	in	mm	in	mm
A		18 1/4	464	24 1/4	616	29 3/8	746	29 3/8	746	25	635
B		6	152	12	305	12	305	12	305	12	305
C		N/A		N/A		23 3/4	603	23 3/4	603	23 3/4	603
D		9 3/4	248	15 3/4	400	15 3/4	400	15 3/4	400	15 3/4	400
E		11	280	17	432	17	432	17	432	17	432

Model without Cable	Drive Type	Cord Specifications					Volts	Amps	Shipping Weight		Size Index #
		AWG	mm ²	# Cond.	ft	m			lbs	kg	
CA30106-CS*	Hand Crank	10	5.211	3	140	43	This reel is for storage only. Not intended to be live.	37	17	1	
		12	3.131	3	175	53					
		16	1.0524	3	425	130					
CA30112-CS*	Hand Crank	10	5.211	3	280	86	This reel is for storage only. Not intended to be live.	46	21	2	
		12	3.131	3	350	106					
		16	1.0524	3	850	260					
LB312 123	Bevel Crank	12	3.131	3	200	61	600	25	51	23	3
LB312 103	Bevel Crank	10	5.211	3	200	61	600	30	52	24	3
LC312 123	Hand Crank	12	3.131	3	200	61	600	25	50	23	4
LC312 103	Hand Crank	10	5.211	3	200	61	600	30	51	23	4
LE312 123 12D	Motor Driven**	12	3.131	3	200	61	600	25	68	31	5
LE312 103 12D	Motor Driven**	10	5.211	3	200	61	600	30	69	31	5

NOTE: Cord must be fully unspooled before use. Actual fill capacities vary with cord O.D. and jacket type. Consult manufacturer for applications requiring cord types other than SO, SOW, or SJO. Reel suited for indoor, non-weathertight applications only. *Power source must be disconnected while reeling/de-reeling. Through shaft on cable storage reels facilitates cable sizes up to .969" O.D. for other sizes, consult manufacturer. **All motor driven models are 12 V DC non-explosion proof. Other motor options available upon request.

 **Interactive Reel Catalog**

Visit us at www.reelcraft.com/catalog for complete product specifications, available parts and accessories.

Prop 65: ⚠️ **WARNING:** Cancer and Reproductive Harm www.P65Warnings.ca.gov.

Models listed with an icon can ship same day upon request when the order is received by 1:00 PM Eastern Time for quantities of 10 or fewer.

 Indiana Warehouse  Indiana & California Warehouses  California Warehouse  Canadian Warehouse

Customer Service: 1.855.634.9109
All Other Calls: 1.800.444.3134



Complete Welding Series | Series TW / STW / BA



TW5425 OLP



BA36106 L



TW7450 OLP

NOTE: Reels without hose, Series TW5400 OLP(T), TW7400 OLP(T), TW84000 OLP(T) and TW86000 OLP(T) are U/L listed #70H2.



Model with Hose	Shipping Weight		Hose I.D.		Hose O.D.		Hose Length		Pressure		Hose Outlet	Reel Inlet	Model without hose & bumper	Shipping Weight		Size Index #
	lbs	kg	in	mm	in	mm	ft	m	psi	bar	in	in		lbs	kg	
Oxygen / Acetylene (only) Hose Reels																
TW5425 OLP	26	12	1/4	6	.530	13	25	8	200	14	9/16 - 18(F)	1/4 NPT(F)	TW5400 OLP	21	10	1
STW3450 OLP	29	13	1/4	6	.530	13	50	15	300	21	9/16 - 18(F)	9/16 - 18(M)	-----	-----	-----	See pg. 21
TW7450 OLP	50	23	1/4	6	.530	13	50	15	200	14	9/16 - 18(F)	1/4 NPT(F)	TW7400 OLP	42	19	2
TWHD74050 OLP	50	23	1/4	6	.530	13	50	15	200	14	9/16 - 18(F)	1/4 NPT(F)	Not available without hose			2
TW7460 OLP	55	25	1/4	6	.530	13	60	18	200	14	9/16 - 18(F)	1/4 NPT(F)	TW7400 OLP	42	19	2
Series 30000 Hand Crank			1/4	6	.530	13	125	38	200	14	9/16 - 18(M)	1/4 NPT(F)	BA36106 L	50	23	4
Series 30000 Hand Crank			1/4	6	.530	13	250	76	200	14	9/16 - 18(M)	1/4 NPT(F)	BA36112 L	57	26	5
Welding Gas - Oxygen / Acetylene, Mapp, Propane, Natural and Fuel Gas (T-Grade) Hose Reels																
TW5425 OLPT	26	12	1/4	6	.530	13	25	8	200	14	9/16 - 18(F)	1/4 NPT(F)	TW5400 OLPT	22	10	1
TW7450 OLPT	50	23	1/4	6	.530	13	50	15	200	14	9/16 - 18(F)	1/4 NPT(F)	TW7400 OLPT	43	20	2
TWHD74050 OLPT	50	23	1/4	6	.530	13	50	15	200	14	9/16 - 18(F)	1/4 NPT(F)	Not available without hose			2
TW7460 OLPT	55	25	1/4	6	.530	13	60	18	200	14	9/16 - 18(F)	1/4 NPT(F)	TW7400 OLPT	43	20	2
TW84100 OLPT	101	46	1/4	6	.530	13	100	30	200	14	9/16 - 18(F)	9/16 - 18(M)	TW84000 OLPT	81	37	3
TW86050 OLPT	90	41	3/8	10	.625	16	50	15	200	14	9/16 - 18(F)	9/16 - 18(M)	TW86000 OLPT	86	39	3
TW86075 OLPT	99	45	3/8	10	.625	16	75	23	200	14	9/16 - 18(F)	9/16 - 18(M)	TW86000 OLPT	86	39	3

Acetylene and fuel gas (red) inlet 1/4" FPT / oxygen (green) inlet 1/4" FPT. 9/16-18 models above are B size. Acetylene/fuel gas side has a LH thread and the oxygen side has a RH thread. Models supplied less hose have male outlets. Maximum temperature 150 °F (65 °C). Reference page 6 for guide arm positions.

Inlet Hose Assemblies

Part Number	Hose I.D.		Length		End Fittings		Pressure		Weight	
	in	mm	ft	m	in		psi	bar	lbs	kg
Twin Welding Oxygen/acetylene only (RM grade)										
S600100-2	1/4 dual	6	2	.61	9/16-18 LH/RH(M/F)		200	14	.70	.32
S600100-4	1/4 dual	6	4	1.22	9/16-18 LH/RH(M/F)		200	14	1.12	.51
S600100-6	1/4 dual	6	6	1.83	9/16-18 LH/RH(M/F)		200	14	1.90	.86
Twin Welding Mapp, propane, natural and fuel gas (T-grade)										
S601031-2	1/4 dual	6	2	.61	9/16-18 LH/RH(F)		200	14	.70	.32
S601031-4	1/4 dual	6	4	1.22	9/16-18 LH/RH(F)		200	14	1.12	.51
S601031-6	1/4 dual	6	6	1.83	9/16-18 LH/RH(F)		200	14	1.90	.86

Hose Inlet Connecting Fittings - Optional		
Model No.	Inlet Connection Fittings	
90°	S300090	ACETYLENE B size 9/16 - 18 LH (M) x 1/4" NPT (M)
	S300091	OXYGEN B size 9/16 - 18 RH (M) x 1/4" NPT (M)
Straight	261371	OXYGEN B size 9/16 - 18 RH (M) x 3/8" NPT (M)
	261372	ACETYLENE/fuel gas - B size 9/16 - 18 LH (M) x 3/8" NPT (M)

Hose supplied on oxygen/acetylene reels is twin-Siamese type meeting R.M.A. and C.G.A. type V.D., grade RM specifications.

Hose Assemblies

Part Number	Hose I.D.		Length		Pressure		End Fittings		Weight	
	in	mm	ft	m	psi	bar	in	lbs	kg	
Twin Welding Oxygen/acetylene only (RM grade) - LH/RH(F)										
601032-25	1/4	6	25	8	200	14	9/16-18	6.5	3.0	
601032-50	1/4	6	50	15	200	14	9/16-18	12.1	5.5	
601032-60	1/4	6	60	18	200	14	9/16-18	13.3	6.0	
601032-100	1/4	6	100	30	200	14	9/16-18	24.2	11.0	
Twin Welding Mapp, propane, natural and fuel gas (T-grade) - LH/RH(F)										
601031-25	1/4	6	25	8	200	14	9/16-18	6.5	3.0	
601031-50	1/4	6	50	15	200	14	9/16-18	12.1	5.5	
601031-60	1/4	6	60	18	200	14	9/16-18	14.4	6.50	
601031-100	1/4	6	100	30	200	14	9/16-18	24.2	11.0	

Advise product to be handled, maximum temperature and pressure fitting size when ordering. **Caution:** Be sure working pressure required does not exceed above ratings.

Models listed with an icon can ship same day upon request when the order is received by 1:00 PM Eastern Time for quantities of 10 or fewer.

- Indiana Warehouse
- California Warehouse
- Indiana & California Warehouses
- Canadian Warehouse

Prop 65: ⚠ WARNING:

Cancer and Reproductive Harm - www.P65Warnings.ca.gov.

Features

- Designed to improve safety in the work area with an increase in productivity and efficiency
- Full flow shaft swivels
- Independent dual swivel body manufactured from aluminum and hard-coated for wear resistance assures positive separation of gases due to its unique design
- Double-sealed, O-rings prevent leakage
- Swivel body and inlet are both permanently identified with machined grooves on the acetylene side to assure proper installation
- Durable abrasion and corrosion resistant baked-on red powder-coated finish
- Reel frame, spool and drum are fabricated of heavy gauge steel

Lighter weight for hose lengths up to 50'

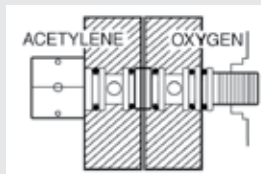


STW3450 OLP
*See page 21 for additional details.



Dual welding, spring driven for high volume of gas

TW84100 OLPT
Available in T grade only



Dual swivel is an exclusive Reelcraft design

Independent dual swivel body

manufactured from aluminum and hard coated for wear resistance. Assures positive separation of gases due to its unique design.

Double-sealed, special molded O-rings prevent leakage. Swivel body and inlet are both permanently identified with machined grooves on the acetylene side to assure proper installation. Available with TW5000 and TW7000 series reels.

“T” Grade Fuel Gas Reels

“T” grade hose reels are used for a wide variety of gases such as mapp gas, propane gas, natural gas and fuel gases. When ordering any welding hose reels you must specify the type of gas being used. To order “T” grade reels, add a suffix “T” to the TW models. Example - TW5425 OLPT.

Diagram	Series 5000 / 7000 / 80000					
	1		2		3	
	in	mm	in	mm	in	mm
A	14 ³ / ₈	365	20 ¹ / ₄	514	25 ³ / ₈	645
B	12 ⁵ / ₈	321	19 ³ / ₄	502	24	610
C	9 ³ / ₄	248	7 ⁷ / ₈	200	10	254
D	2 ¹ / ₂	64	3 ⁷ / ₈	98	6	152
E	6	152	7 ³ / ₈	187	12 ¹ / ₄	311

Series 5000 reels have four 5/16" (8 mm) diameter mounting holes.

Diagram	Series 30000			
	4		5	
	in	mm	in	mm
A	15 ⁵ / ₈	397	21 ⁵ / ₈	550
B	6	152	12	305
C	9 ³ / ₄	248	15 ³ / ₄	400
D	11	280	17	432

Four 1/2" (12.7 mm) mounting holes. Overall length with crank handle removed is 17³/₄" (451 mm).

Models listed with an icon can ship same day upon request when the order is received by 1:00 PM Eastern Time for quantities of 10 or fewer.

- Indiana Warehouse
- California Warehouse
- Indiana & California Warehouses
- Canadian Warehouse



Interactive Reel Catalog

Visit www.reelcraft.com/catalog for complete product specifications, available parts and accessories.

Hand Crank / Spring Retractable Cable Welding Reels Series CEA / WC



WC7000



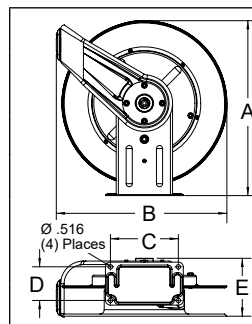
CEA30006



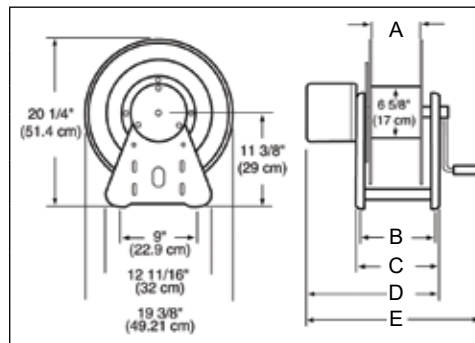
WC80001

- Designed to improve safety in the work area with an increase in efficiency and productivity
- Cable reels have a current path through a continuous 400 or 700 AMP, 90 V DC (maximum) rated enclosed slip ring
- Keeps work area and vehicles better organized, resulting in better space utilization

- Stores cable when not in use, eliminating tangled, kinked welding cables
- Welding cable reels store work lead or electrode lead, up to #4/0, safely and effectively when not in use. Each lead requires a separate reel. When welding also refer to ANSI/Asc Z 49.1
- Maintains proper bend radius of cables, providing longer cable life



	Size Index					
	1		2		3	
	in	mm	in	mm	in	mm
A	20 1/4	514	20 1/4	514	25 3/8	645
B	19 3/4	502	19 3/4	502	24	610
C	7 7/8	200	7 7/8	200	10	254
D	3 7/8	98	3 7/8	98	6	152
E	13 1/4	337	14	356	15 5/8	397



	Size Index			
	4		5	
	in	mm	in	mm
A	6	152	12	305
B	9 3/4	248	15 3/4	400
C	11	279	17	432
D	15	381	21	533
E	21	533	27	686



Four 1/2" (12.7 mm) diameter mounting holes.

Caution: If cable reels are to be used for extended periods of time, unwind all cable from reel to prevent heat build-up. For indoor non-weatheright applications only.

Cable Size	Bumper
#2, #1	1-HR1004-A
#1/0, #2/0, #3/0	1-HR1004
#4/0	2-HR1004-3

Model without cable & bumper	Cable Size						Amps	Shipping Weight	Size Index #						
	#2 (34mm ²)		#1 (42mm ²)		#1/0 (54mm ²)					#2/0 (67mm ²)		#3/0 (85mm ²)		#4/0 (107mm ²)	
	ft	m	ft	m	ft	m				ft	m	ft	m	ft	m
CEA30006	300	91	250	76	200	61	150	46	-----	-----	400	46	21	4	
CEA30012	500*	152	500*	152	400	122	300	91	-----	-----	400	54	24	5	
WC7000	-----	-----	50	15	50	15	50	15	-----	-----	400	58	26	1	
WCH7000	-----	-----	-----	-----	-----	-----	-----	-----	50	15	50	15	50	15	2
WC80001	-----	-----	75	23	75	23	75	23	-----	-----	400	102	46	3	
WC80002	-----	-----	100	30	-----	-----	-----	-----	-----	-----	400	104	47	3	
WCH80001	-----	-----	-----	-----	-----	-----	-----	-----	75	23	75	23	75	23	3

*May exceed maximum cable length allowable for most welding applications. **NOTE:** Each cable requires separate reel. Reference page 6 for guide arm positions.

Prop 65: **WARNING:** Cancer and Reproductive Harm www.P65Warnings.ca.gov.



Interactive Reel Catalog
Visit www.reelcraft.com/catalog for complete product specifications, available parts and accessories.

Models listed with an icon can ship same day upon request when the order is received by 1:00 PM Eastern Time for quantities of 10 or fewer.

Indiana Warehouse

California Warehouse

Indiana & California Warehouses

Canadian Warehouse

Hand Crank Reels

Up to 150' fuel gas
Up to 200' 12/3 cable



Ideal for applications where space, weight and flexibility are key, these reels are designed for manual winding of air/water/fuel gases hose, electric cord and welding cable. Versatile in function, select configurations to suit specific needs. Safe-T-Reels offer trouble-free management of large capacities of hose or cord.



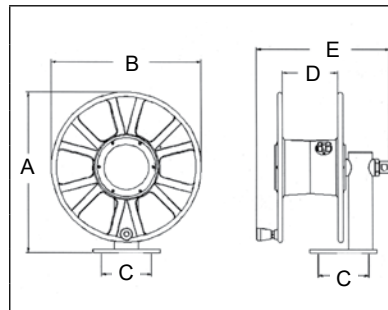
Side-by-side combinations
T-2462-0



Stacked combinations
T-2464-0

Model without cable	AMP	Reel Capacity		Cable		Shipping Weight		Size Index #
		ft	m	AWG	Cond	lbs	kg	
Single Power Cable - 3 Conductor								
T-1535-003	35	200	61	8	3	18.5	5	1
T-1535-083-100*	33	100	30	8	3	50	23	1
T-1535-103-200*	24	200	61	10	3	81	37	1
T-1535-123-100*	25	100	30	12	3	46	21	1
T-1535-123-200*	20	200	61	12	3	71	32	1

*Includes cable.



Dimensions - Size Index						
	1		2		3	
	in	mm	in	mm	in	mm
A	19	483	19	483	19	483
B	18	457	18	457	18	457
C	6	152	6	152	6	152
D	6 1/2	165	6 1/2	165	12 1/2	165
E	15 3/4	401	16 1/4	412	21 3/4	552

Four 1/2" (12.7 mm) diameter mounting holes.

Model without hose	Hose I.D.		Hose O.D.		Reel Capacity		Pressure		Shipping Weight		Size Index #
	in	mm	in	mm	ft	m	psi	bar	lbs	kg	
Single Spool Air/Water Hose Reels Maximum temperature 150 °F (65 °C)											
T-1115-08	1/2	13	.844	21	150	46	300	21	18	8	1
T-1116-08	1/2	13	.844	21	250	76	300	21	22	10	3
T-1117-12	3/4	19	1.188	30	50	15	250	17	18	8	1
T-1118-12	3/4	19	1.188	30	75	23	250	17	22	10	3
Single Spool Oxygen/Acetylene T-Grade Seals Maximum temperature 150 °F (65 °C)											
T-1225-04	1/4	6	.530	13	150	45	200	14	19	9	2
T-1225-04-100T*	1/4	6	.530	13	100	30	200	14	44	20	2
T-1226-06	3/8	10	.625	16	100	30	200	14	19	9	2

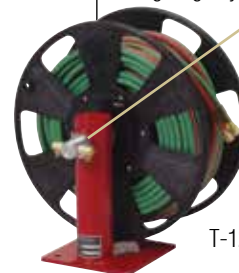
*Includes hose.

Detail of heavy duty shaft

with tapered roller bearing for high rigidity



Shaft sizes are 1" to 1.25" in diameter, supported by tapered roller bearings with 2" to 2.3" housings.



T-1225-04-100T

Model without cable	AMP	Reel Capacity		Shipping Weight		Size Index #
		ft	m	lbs	kg	
Single Welding Cable 600 V, 2/0 Cable						
T-1460-0	300	200	61	32	15	2
Dual Side-by-Side Welding Cable (2) 600 V, 2/0 Cable						
T-2462-0	250	200	61	51	23	5
Dual Stacked Welding Cable (2) 600 V, 2/0 Cable						
T-2464-0	250	200	61	62	28	4
Dual Side-by-Side Power Cable/Air Hose						
T-2735-2-0*	35	200	61	40	18	5
		150	45			

*Air hose side has 1/2" (12.7mm) inlet.

Dimensions - Size Index						
	4		5			
	in	mm	in	mm		
A	38	965	19	483		
B	18	457	18	457		
C	6	152	6	152		
D	6 1/2	165	6 1/2	165		
E	16 1/4	737	29	737		

Four 1/2" (12.7 mm) diameter mounting holes.

Caution: Compressed air hoses should not be converted to oxygen service. Compressed air hoses are often contaminated with an oil coating, which can react explosively when oxygen is introduced. Oxygen/Acetylene cannot be combined with welding cable or power cord. **Note:** Models listed are without hose and/or cable except where listed. Weights listed above are actual product weight without packaging materials. Safe-T-Reels are available with cable or hose and in various combinations. Please consult Reelcraft customer service for additional information.

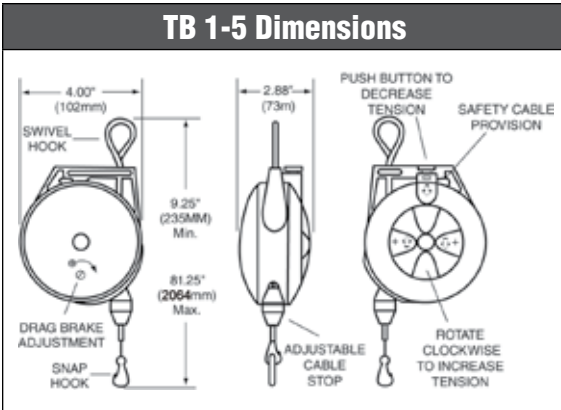
Models listed with an icon can ship same day upon request when the order is received by 1:00 PM Eastern Time for quantities of 10 or fewer.

Indiana Warehouse
 Indiana & California Warehouses
 California Warehouse
 Canadian Warehouse

Prop 65: **WARNING:**
Cancer and Reproductive Harm
www.P65Warnings.ca.gov

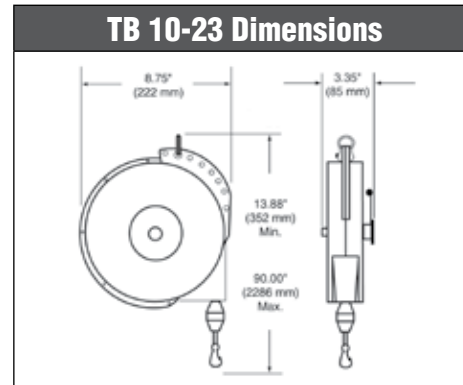
Top Five Benefits

- Balances the weight of assembly tools, making them nearly weightless
- Reduces operator fatigue
- Improves safety and ergonomics
- Increases productivity by keeping tools positioned for immediate use with minimal operator motion
- Reduces tool damage by preventing tools from being accidentally dropped



Model	Min - Max Load		Cable Length*		Shipping Weight	
	lbs	kg	ft	m	lbs	kg
TB 01	0.0 - 1.5	0.0 - 0.7	6	1.8	1.0	0.5
TB 03	1.5 - 3.0	0.7 - 1.4	6	1.8	1.0	0.5
TB 05	3.0 - 5.0	1.4 - 2.3	6	1.8	1.5	1

*Cable lengths listed are "active" or "working" cable. Safety tool clip and cable stop included. Maximum temperature 150 °F (65 °C).



Model	Min - Max Load		Cable Length*		Shipping Weight		Ratchet Lock
	lbs	kg	ft	m	lbs	kg	
Constant Pull Reels - may be adjusted to balance through 6-18 in (152-457 mm) range.							
TB 10	5.0 - 10	2.3 - 4.5	8	2.4	9	4	NO
TB 12	8.0 - 12	3.6 - 5.4	8	2.4	10	4.5	NO
TB 15	10 - 15	4.5 - 6.8	8	2.4	10	4.5	NO
TB 23	16 - 23	7.2 - 10.4	8	2.4	10	4.5	NO
Reels with Ratchet Lock - retract tool upward when manually released.							
TBL 10	5.0 - 10	2.3 - 4.5	8	2.4	9	4	YES
TBL 12	8.0 - 12	3.6 - 5.4	8	2.4	10	4.5	YES
TBL 15	10 - 15	4.5 - 6.8	8	2.4	10	4.5	YES
TBL 23	16 - 23	7.2 - 10.4	8	2.4	10	4.5	YES

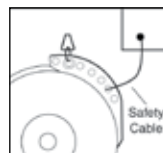
*Cable lengths listed are "active" or "working" cable. Safety tool clip and cable stop included. Maximum temperature 150 °F (65 °C).

Optional Accessories

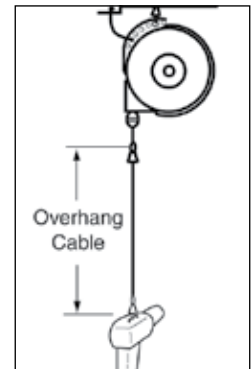
Cables can be combined for added length

Overhang Cable	
Model No.	Length
600605-3	3.0 ft / 91.5 cm
600605-5	5.0 ft / 152.4 cm
Safety Cable/Chain	
600603*	1.0 ft / 30.5 cm
600604**	1.0 ft / 30.5 cm

*Nylon covered steel cable (1 to 6 lbs models)
**Steel link chain (10 to 23 lbs models)



Strongly recommended, secondary steel cable or steel link chain. Prevents balancer from accidental fall. Balancers have extra holes for cable or chain.



Nylon covered steel cable with safety clip. Brings tools closer to work area without unwinding cable from reel or mounting reel at lower height.

Prop 65: ⚠️ WARNING:

Cancer and Reproductive Harm - www.P65Warnings.ca.gov.

Models listed with an icon can ship same day upon request when the order is received by 1:00 PM Eastern Time for quantities of 10 or fewer.

Indiana Warehouse Indiana & California Warehouses California Warehouse Canadian Warehouse

Special Powder Coat Paint Colors

Special Powder Coat Paint Colors

Customize your small or large frame reel color with special paint options

Reelcraft is most well-known for its bright red reels, but we also paint secondary colors and special order colors. Reelcraft uses a rigorous cleaning process on raw parts prior to paint. After this process is complete, parts are then coated with a high quality, durable polyester powder coat paint for a uniform, corrosion resistant finish that will last through years of service.

Reelcraft frequently paints secondary colors - white, black, blue and gray. There is no set-up charge for secondary colors, only a variable per unit charge. We thoroughly clean our booths and tools prior to painting special order colors therefore require a one-time set-up charge in addition to the variable per unit charge.



RT650-OLP-40BL



RT650-OLP-35BK



RT650-OLP

Primary Colors - NO CHARGE

Reelcraft is most well-known for its bright red reels, but we also paint gray on large frame reels at no extra charge. Gray must be specified at time of order.

Large Frame Reels

Reelcraft Red	Gray 39GY RAL 7035
---------------	--------------------------

Small Frame Reels

Reelcraft Red

Secondary Colors

Reelcraft frequently paints secondary colors. There is no set-up charge for secondary colors, only a variable per unit charge and a possible increase in lead time. *Reels with secondary colors cannot be returned.

Large Frame Reels

White 17WH RAL 9003	Black 35BK RAL 9005
Blue 40BL RAL 5005	Silver 37SR

Small Frame Reels

White 17WH RAL 9003	Black 35BK RAL 9005
Blue 40BL RAL 5005	Gray 39GY RAL 7035

Special Order Colors

We thoroughly clean our booths/tools prior to painting special order colors and thus require a set-up charge in addition to the variable per unit charge. Contact Reelcraft for additional colors not listed. Be aware that special paint may add to lead time. *Reels with special order colors cannot be returned.






Large Frame Reels

Gray Primer 26GY	Sunshine Yellow 42YE RAL 1023	Bronze 47BZ
Hunter Green 45GN RAL 6004	Orange 55OR RAL 2009	Forrest Green 48GN RAL 6006
High Gloss Black 43BK RAL 9005	Burgundy 12BG RAL 3003	Green 20GN


Small Frame Reels

Silver 37SR	Gray Primer 26GY	Sunshine Yellow 42YE RAL 1023	Bronze 47BZ
High Gloss Black 43BK RAL 9005	Hunter Green 45GN RAL 6004	Orange 55OR RAL 2009	Forrest Green 48GN RAL 6006
	Burgundy 12BG RAL 3003	Green 20GN	


Rewind Motors

Part No.	Specification	
Electric Motors		
S260409	Reversible type, 12 V DC 1/3 HP	
260450	Reversible type, 24 V DC 1/4 HP	
Explosion Proof Electric Motors (Class 1 Group D Division 1)		
S260430	Reversible type, single phase, explosion proof 115 V AC 0.40 HP.	
S260626	24 V DC 2/3 HP. Electric motor reversible type. Explosion proof.	
S260583	12 V DC 2/3 HP. Electric motor reversible type. Explosion proof.	
Air Motors		
260428	4 AM delivers up to 1 1/2 HP, 1/4" NPTF (F) inlet	
260429	6 AM delivers up to 4 HP, 1/2" NPTF (F) inlet	
Hydraulic Motor		
370066	1021 RPM, 668 lb-in, 2400 psi, 2.2 in ³ intermittent 1800 psi continuous	

Additional Accessories

Part No.	Specification	Use with Motor
Control Valves		
260454	Pneumatic on/off flow control valve assembly, 1/4" NPTF (F) inlet for 4 AM compressed air motors. Recommend using a filter, regulator, and lubricator with compressed air motors.	260428
260455	Same as above with 3/8" NPTF (F) inlet and outlet for 6 AM motors.	260429
Circuit Breaker		
S260422	40 AMP, manual reset button must be pressed firmly to reset	S260409 260450
Starting Solenoid		
S260426	12 V DC for activation of motor	S260409 S260583
370018	24 V DC for activation of motor	260450 S260626
Mounting Bracket		
260532	Combination for circuit breaker, solenoid and starting switch	

Operating Switches and Accessories

Part No.	Specification	Use with Motor
Push Button Switch		
S600870	115/230 V AC, 10 AMP fuse	S260430
600811	12/24 V DC, up to 1/3 HP, breaker and relay	S260409 260450
S600808	600811 switch with bracket, 12/24 V DC	S260409 260450
600869	12/24 V DC, up to 2/3 HP	S260626 S260583
260424	Momentary contact with rubber cap, 12/24 V DC, non-explosion proof	Any DC motor
260425	Momentary contact, class 1 group D, 115/230 V AC. May also be used with solenoid for 12 or 24 V DC.	Any explosion proof motor
Speed Control Switch		
600871	115/230 V AC, 10 AMP	S260430
600866	12/24 V DC	Any DC motor
Push Button Switch with Speed Control		
S600872	115/230 V AC, 10 AMP fuse, adjustable speed control	S260430
600873	115/230 V AC, 10 AMP fuse, forward/reverse adjustable speed control	S260430
600867	DC, 25 AMP, up to 1/3 HP	S260409
600868	DC, 40 AMP circuit breaker, up to 2/3 HP	S260583
Junction Box		
370200	For explosion proof motor	Any explosion proof motor
Chain Shrouds		
S600518	Optional chain shroud for Series 30000 and Series 1200 reels.	
S261746	Optional chain shroud for Series 2400, 3700, and 3900 reels.	

*Reference reelcraft.com for detailed specifications.

Prop 65:  **WARNING:**

Cancer and Reproductive Harm - www.P65Warnings.ca.gov.

Reel Accessories | Roller Hose Guides / Mounting Options

Roller Hose Guide Assemblies



HR1057 / HR1059



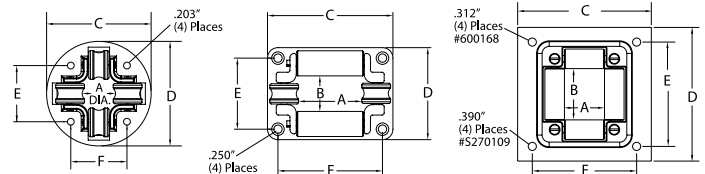
HR1145



600168

Model	Accommodates		Weight		Dimensions											
	Hose O.D.				A		B		C		D		E		F	
	in (mm)		lbs	kg	in	mm	in	mm	in	mm	in	mm	in	mm	in	mm
HR1057	.603 (16) - .906 (23)		.25	.12	0.875	22.3	N/A		3.125	79.4	3.125	79.4	1.6875	42.9	1.6875	42.9
HR1059	.250 (6.4) - .625 (15.9)		.25	.12	0.625	15.9	N/A		3.125	79.4	3.125	79.4	1.6875	42.9	1.6875	42.9
HR1145	.603 (16) - .906 (23)		.34	.15	2	50.8	1	25.4	3.75	95.3	2.75	69.9	2.125	54.1	3.125	79.4
S270109	.900 (23) - 2.00 (50.8)		5.39	2.44	5.25	133.4	2.375	60.4	12	305	8	204	5	127	10.5	267
600168	.900 (23) - 1.38 (35)		1.75	.34	1.5	38.1	2	50.8	5.125	130	5.125	130	4	102	4	102

These four-way roller guide assemblies are for use with reels on cabinet door openings and for similar locations where sharp edges may cut or damage the hose. The four-way design permits pulling or retracting hose at any angle. Model S270109 has nylon rollers mounted on an 11 gauge steel frame with pre-drilled mounting holes.



Note: A hose bumper should be used with the four-way roller hose guide assemblies to prevent damage to rollers and nozzles.

Additional Accessories Not intended for mobile applications.

 S600608 600801 600801-12	340° Pivot Base Aligns reel to the direction of hose or cord run. May be mounted with reel upright or hanging. Weight 10 lbs (5 kg). Note: Use if hoses or cords are pulled at more than 45°. Refer to www.reelcraft.com/accessories for dimensional information.	For Reel Series RT / 4000 / 5000 / 5005 / 7000 / HD70000	Part # S600608
		80000 / D80000 / 30006	600801
		30012	600801-12
 600801-12	330° Pivot Base Aligns reel to the direction of cord run. Use if cords are pulled at more than 45°.	L NM400	263109
	 600992 600626	Wall-Mounted Universal Swing Bracket Bracket will pivot approximately 180°. All steel construction with a durable baked on powder coat finish. Weight 6 lbs (3 kg). Note: Use if hoses or cords are pulled at more than 45°. Note: Not for overhead mounting. Refer to www.reelcraft.com/accessories for dimensional information.	For Reel Series RT
		4000 / 5000	600993
		RT / 4000 / 5000 / 5005 / 7000 / HD70000	600626
		80000 / D80000 / DP5000 / DP7000	600980
 600295 600230	Top Mounting Channels and Beam Clamps 600370 Top channel and beam clamps - for one reel 600295 Top channel and beam clamps - for two reels For mounting Series 7000 reels to an I-beam or overhead support. Mounting channels can be mounted end to end to mount three or more reels. To permit the mounting of Reelcraft Series RT, 4000, 5000, 5005 and electric cord reels on mounting channel, an adaptor assembly must be used (#600230).		
	600230 Adaptor Assembly Used with top channels and beam clamps only.		

Roller Guide Assemblies

 Three-way rollers	 Four-way rollers (multi-position)								
Spools and blocks are chrome-plated to resist corrosion and abrasion. Rollers speed handling and reduce wear on hose. All painted parts are finished with durable abrasion resistant baked-on powder coat. Delrin bearing surfaces give a quiet operation with minimum wear and all features combine to give trouble-free maximum service life.									
For the special UHMW composite rollers, add a "U" at the end of the part number. (Example: S600693-1U)									
<table border="1"> <thead> <tr> <th>Hose Reel Spool Size</th> <th>Bottom Wind Roller bracket assembly</th> <th>Top Wind Roller bracket assembly</th> <th>Multi Position Roller bracket assembly</th> </tr> <tr> <th>in mm</th> <th>model number</th> <th>model number</th> <th>model number</th> </tr> </thead> </table>	Hose Reel Spool Size	Bottom Wind Roller bracket assembly	Top Wind Roller bracket assembly	Multi Position Roller bracket assembly	in mm	model number	model number	model number	
Hose Reel Spool Size	Bottom Wind Roller bracket assembly	Top Wind Roller bracket assembly	Multi Position Roller bracket assembly						
in mm	model number	model number	model number						
Series 30000 - Four Way Rollers									
6 152	S600693-1	S600692-1	S600533-1						
12 305	S600693-2	S600692-2	S600533-2						
18 457	S600693-3	S600692-3	S600533-3						
22 559	S600693-4	S600692-4	S600533-4						
28 711	S600693-5	S600692-5	S600533-5						
Series 30000 - Three Way Rollers									
6 152	S602132-1	S602133-1							
12 305	S602132-2	S602133-2							
18 457	S602132-3	S602133-3							
22 559	S602132-4	S602133-4							
28 711	S602132-5	S602133-5							
Bottom wind and top wind may be used with all models except bevel crank. Multi position may not be used on models with a chain guard or Series 37000 reels.									

Prop 65: ⚠ **WARNING:**

Cancer and Reproductive Harm - www.P65Warnings.ca.gov.

North America and Corporate Headquarters

2842 E. Business Hwy 30
Columbia City, IN 46725

Customer Service: 855-634-9109

Ph: 800-444-3134 • Fax: 800-444-4587

Ph: 260-248-8188 • Fax: 260-248-2605

reelcraft@reelcraft.com

www.reelcraft.com

Latin America and the Middle East

Thompson International, Inc.

P.O. Box 12958, Ft. Wayne, IN 46866

Ph: 260-489-1685 • Fax: 260-489-0203

info@t-i-i.com

www.reelcraft.com/latinamerica

Pacific Rim

P.O. Box 53776, Clark Freeport Zone
Philippines 2023

Ph: +63 (45) 625-6624

Fax: +63 (45) 321-0643

rap@comclark.com

www.reelcraft.com/asia

Europe

Unit 17 • Cronin Courtyard

Weldon South Industrial Estate

Corby • Northamptonshire NN18 8AG

United Kingdom

Ph: +44 (0) 1536 406999

Fax: +44 (0) 1536 406777

europa@reelcraft.com

www.reelcraft.com/europe

China

Reelcraft Changzhou Co., Ltd.

Building C, No. 229 HeHai West Road

Changzhou, Jiangsu, China 213022

Ph: +86 (519) 8512 2391 ext. 8002

Fax: +86 (519) 8512 9309

rco@reelcraftchina.com

www.reelcraftchina.com

Australia

PO Box 6463 BC, Blacktown

NSW 2148, Australia

Ph: +61 (2) 9621 8988

Fax: +61 (2) 9621 7688

sales@recoila.com

www.reelcraft.com